



ESD4V5D3BA

1- Line, Bi-directional, Transient Voltage Suppressor

Features

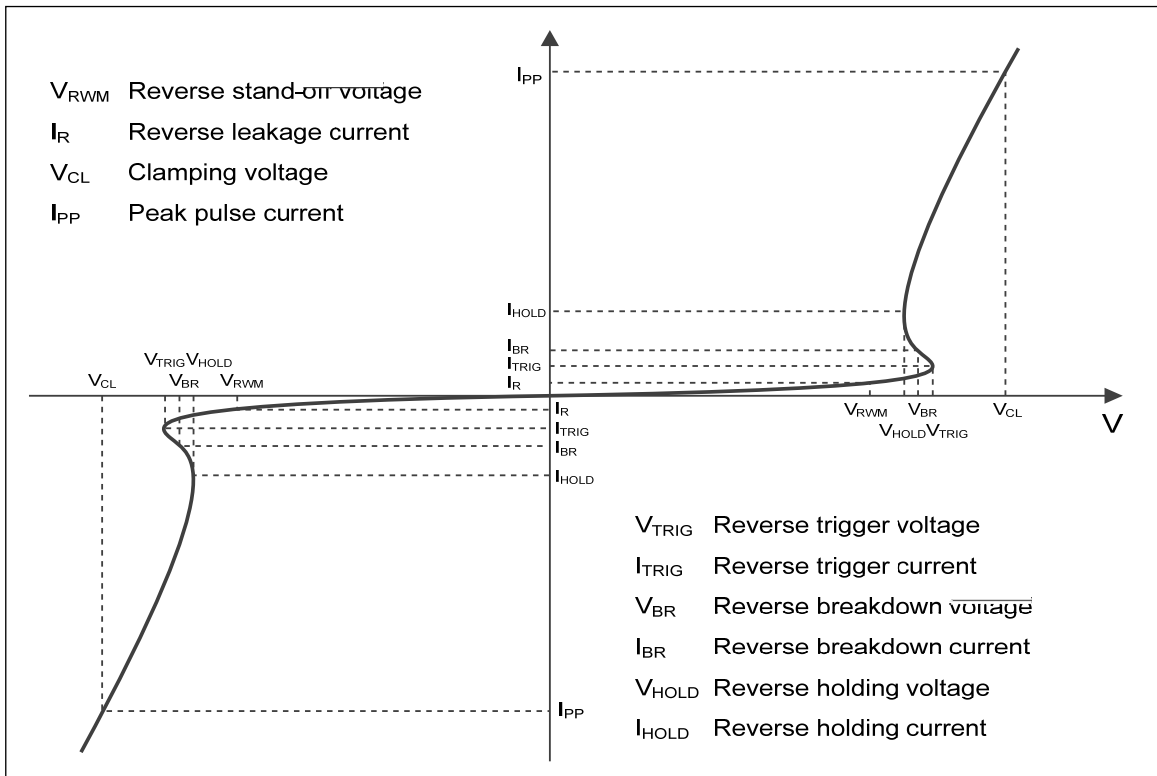
" 6WDQG RII YROWDJH " 9 0D[
 " 7UDQVLHQW SURWHFWLRQ IRU HDFK OL
 ,(& (6' " N9 FRQWDFW
 ,(& ()7 \$ QV
 ,(& VXUJH \$ V
 " FDSDFLWDQFH &- S) W\ S
 "/RZ OHDNDJH FXUUHQW
 "/RZ FODPSLQJ YROWDJH
 9&/ 9 W\ S # ,33 \$ 7/3
 " 6ROLG VWDWH VLOLFWRQ WHFKQRORJ\

Applications

" &HOOXODU KDQGVHVV
 " 7DEOHVV
 " /DSWRSV
 " 2WKHU SRUWDEOH GHYLFHV
 " 1HWZRUN FRPPXQLFDWLRQ GHYLFHV

Mechanical Data

" 3DFNDJH 62'
 " /HDG)LQLVK 0DWWH 7LQ
 " &DVH 0DWHULDO 3*UHHQ' 0ROGLQJ &R
 " 0RLVWXUH 6HQVLWLYLW\ /HYHO SHU
 " 0DUNL „†,)A'•7€Äx "" † „ ñ •Dh, „†,)A'•7€Äx "" †





ESD4V5D3BA

Maximum Ratings

PARAMETER	SYMBOL	LIMITS	UNIT
3 HDN SXOVH _s SRZHU W	3 _{SN}		:
3 HDN SXOVH _s FXUUHQW W	33		\$
(6' DFFRUGLQJ WR ,(& DLU GLVFKDUJH	9 _{(6'}	"	.9
(6' DFFRUGLQJ WR ,(& FRQWDFW GLVFKDUJH		"	
-XQFWLRQ WHPSHUDWXUH	-	7	R&
6WRUDJH WHPSHUDWXUH	67*	7 a	R&

Electrical Characteristics

PARAMETER	Symbol	UNIT	Conditions	Min	Typ	Max
5HYHUVH PD[LXP ZRUNLQJ YROWD ₅₀ H		9	9			"
5HYHUVH OHDNDJH FXUUHQW	5	\$	9.0 9			
5HYHUVH EUHDNGRZQ YROWD _{JH} 9%5		7	P\$ 9			

33i p A ° A 0 p e 6iE • L E C { • " " A à ~ A (2 & rĀ 05 45 0
 &ODPSLQJ YROWD_{JH}

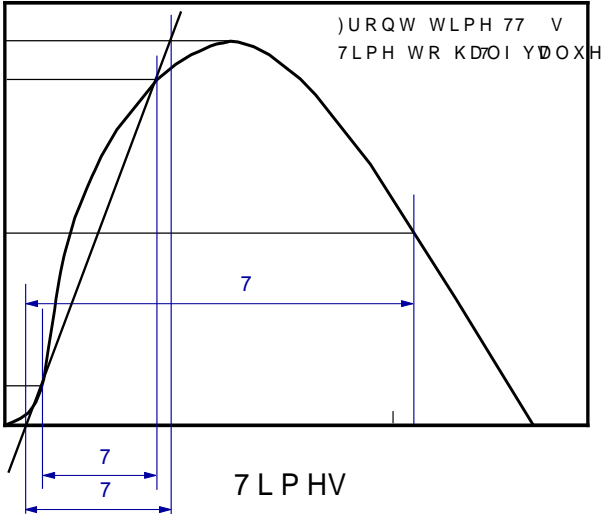


ESD4V5D3BA

3 HDN SXOVH FXUUHQW

vCharacteristics 7\SLFDO

Fig.1 8/20μs waveform per IEC61000-4-5





ESD4V5D3BA

Fig.7 ESD clamping
(+8kV contact discharge per IEC61000-4-2)

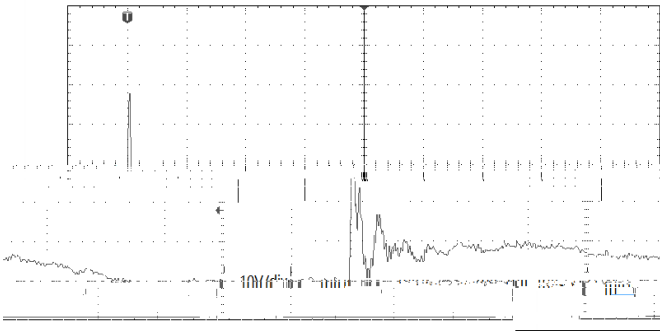
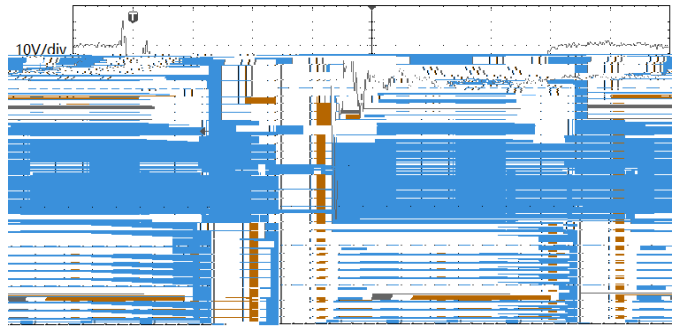
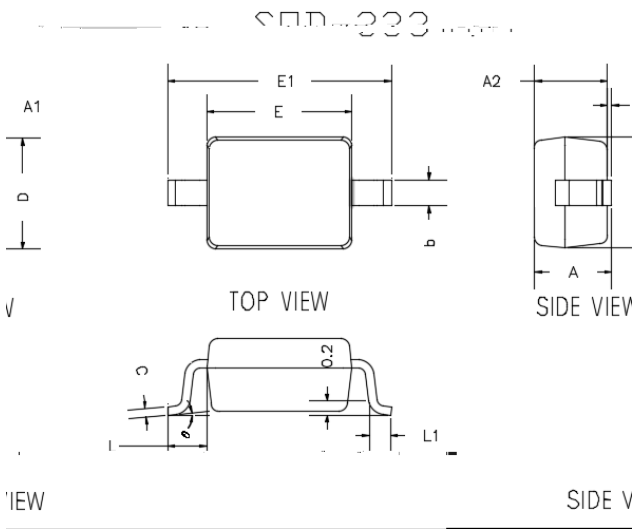


Fig.8 ESD clamping
(-8kV contact discharge per IEC61000-4-2)

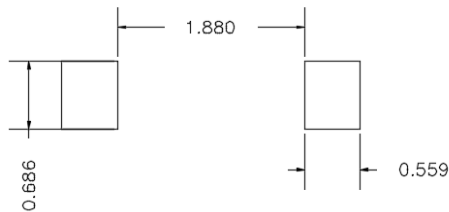


v Outline Dimensions



DIMENSIONS				
DIM	INCHES		MM	
	MIN	MAX	MIN	MAX
A	---	0.0393	---	1.0000
A1	0.0000	0.0039	0.0000	0.1000
A2	0.0314	0.0354	0.8000	0.9000
b	0.0098	0.0157	0.2500	0.4000
0.8031	0.0059	0.0800	0.1500	0.2000
0.0472	0.0551	1.2000	1.4000	---
0.0629	0.0709	1.6000	1.8000	---
0.0984	0.1063	2.5000	2.7000	E1
	0.0187 TYP		0.475 TYP	L
0.0098	0.0157	0.250	0.400	L1
C°	8°	C°	8°	θ

Soldering Footprint



UNIT: mm

SUGGESTED SOLDER PAD LAYOUT

1RWHV

7KLV UHFRPPHQGHG ODQG SDWWHUQ LVOHFDUHUHFHQWQCFM SXULSRDQXIDQWXUJQJ JUV
GHVLJQ JXLGHOLQHV DUH PHW



ESD4V5D3BA

Disclaimer

7KH LQIRUPDWLRQ SGRV#QMGHG LQ IRKLV#DQJ#KH#BQJMLH (OHFWURQLF 7HF#KRO
ULJKW WR PDNH FKDLF#HVRZLWKR#XWS#KRLS#LURDG#KFRV#RGLWSOD\HG KHUHLQ WRGLF#SLURQ
RU RWKHUZLVH

7KH SJURGXW@TOLQVMG UÅH#WALS#KUEP#S#DLE D 7 A P Åh Rø P