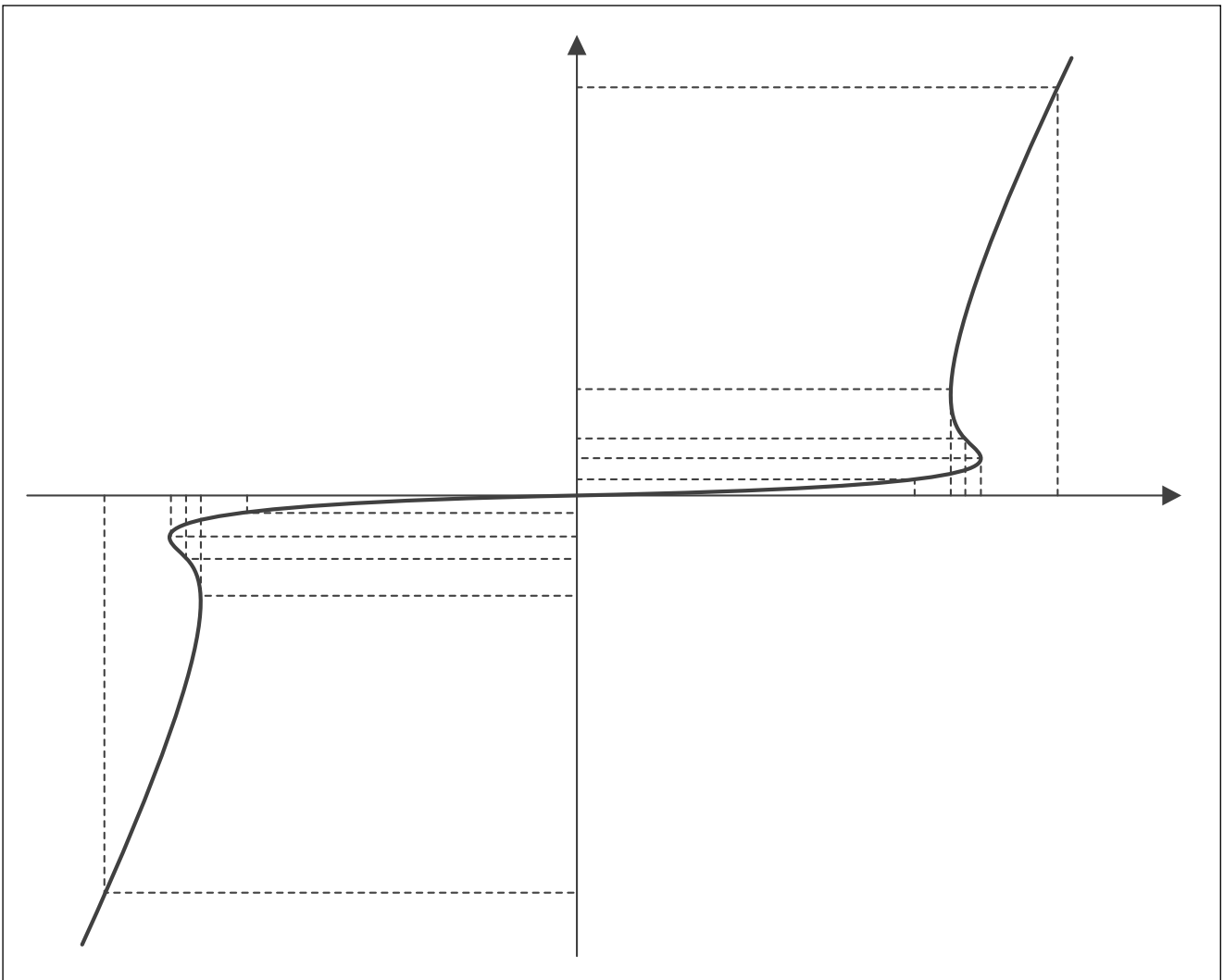


S) W\ S
 "/RZ OHDNDJH FXUUHQW
 "/RZ FODPSLQJ & YROW W\ S 33\$, \$
 7/3
 " 6ROLG VWDWH VLOLFQRQ WHFKQRORJ\

0HFKDQLFDO 'DWD
 " 3DFNDJH 1 /
 " 7HUPLOLQVSODWHG OHDGV VROGHUDEOH SH
 - 67' DQG -(6' %
 " 3RODUWRDUNLQJ RQ EL GLUHFWRQDO W\SH
 " 0DUNLQJ

V'HILQLWLRQV RI HOHFWULFDO FKDUDFWHULVWLFV



(6 ' 9 / % \$

V0D[LPXP 5DWLQJV

3\$5\$0(7(5

v & K D U D F W H Ø \ S M L W F D F Ø V

ø ï ì μ • Á À (} Ø E u % Ø E / ò ï ï ï ï ð r ñ } v š š] • Z Ø E P μ Ø E Ø E v š Á À (} Ø E u

(6 ' 9 / % \$

V 5 HFRPPHQG ODQ ~~Q~~SDWWPHUQ

1RWHV

7KLV UHFRPPHQGHG ODQG SDWWHUQ LWOHFDUHUHFHQHCFM \RXUSR\OIXID@OXUJ QJ JU
GHVLJQ JXLGHOLQHV DUH PHW

6 '
5HY

ODU

<DQJ]KRX <DQJMEFH@K@W@R@L&R /ZG \DQJMLH P

(6 ' 9 / % \$

'LVFODLPHU

7KH LQIRUPDWLRQ SGRV ~~MDMG~~ LQ IR ~~WLV~~ ~~DI~~ ~~UJ~~ ~~KR~~ ~~K~~ ~~BQ~~ ~~MLH~~ (OHFWURQLF 7HHKQRO
ULJKW WR PDNH FKDL ~~F~~ ~~H~~ ~~V~~ ~~R~~ ~~Z~~ ~~L~~ ~~W~~ ~~K~~ ~~R~~ ~~X~~ ~~S~~ ~~K~~ ~~R~~ ~~L~~ ~~W~~ ~~L~~ ~~F~~ ~~D~~ ~~W~~ ~~L~~ ~~R~~ ~~Q~~ ~~R~~ ~~I~~ ~~W~~