



MF150A06F2

Symbol	Conditions	Values	Units
V_R		600	V

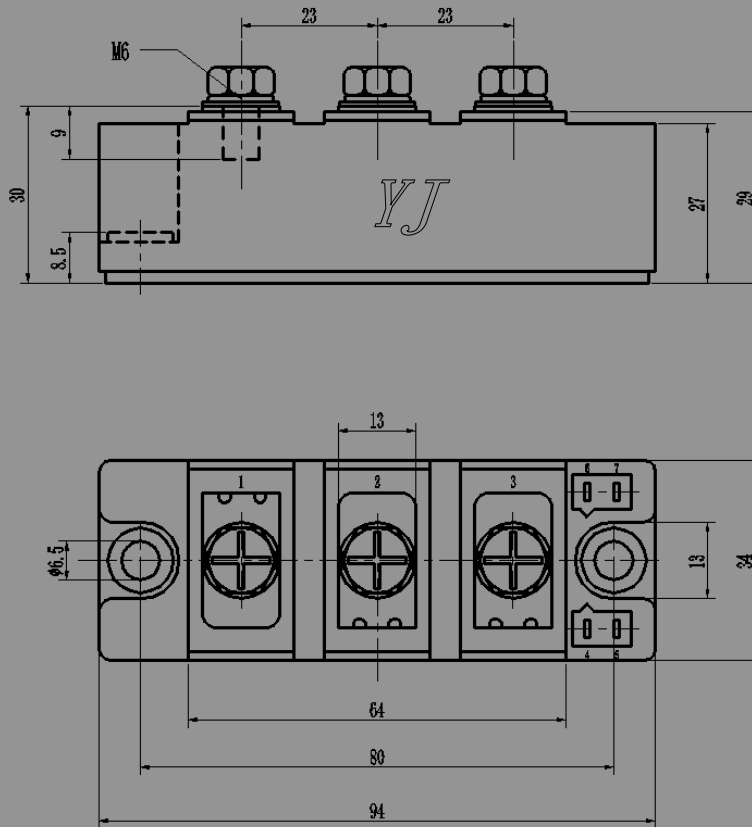


MF150A06F2



Package Outline Information

CASE: F2



Dimensions in mm