



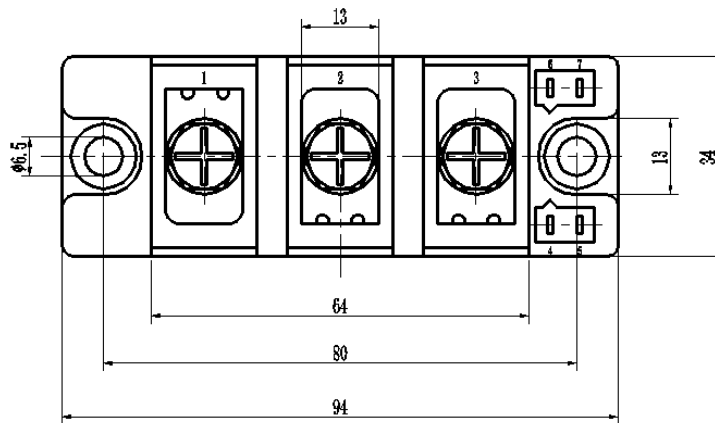
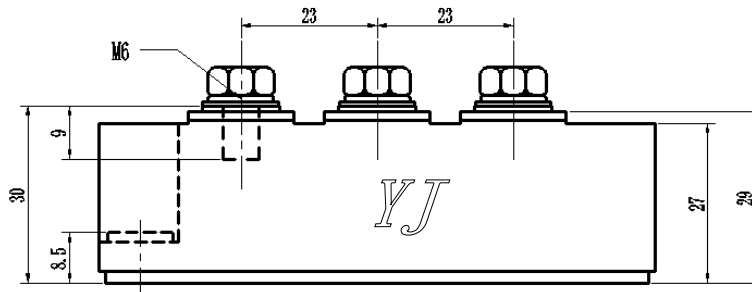
MF150K06F2N

MF150K06F2N



Package Outline Information

CASE: F2N



Dimensions in mm