



## Maximum Ratings

Symbol	Conditions	Values	Units
$V_R$		600	V
$V_{RRM}$		600	V
$I_{F(AV)}$	$T_C=110^{\circ}\text{C}$ , Per Diode	300	A
$I_{F(RMS)}$	$T_C=110^{\circ}\text{C}$ , Per Diode	420	A
$I_{FSM}$	1/2 Cycle , 50Hz, Sine	3000	A
	1/2 Cycle , 60Hz, Sine	3200	A
$I^2t$	$T_J=45^{\circ}\text{C}$ , $t=10\text{ms}$ , 50Hz, Sine	45000	$\text{A}^2\text{s}$
	$T_J=45^{\circ}\text{C}$ , $t=8.3\text{ms}$ , 60Hz, Sine	51200	$\text{A}^2\text{s}$
$P_D$		890	W
Visol	AC, $T_{on}=1\text{min}$	3000	V
$T_J$		-40 to +150	$^{\circ}\text{C}$
$T_{STG}$		-40 to +125	$^{\circ}\text{C}$
Torque	Recommended M6	$4\pm 15\%$	N·m
Torque	Recommended M6	$4\pm 15\%$	N·m
Weight		160	g

## Thermal Characteristics

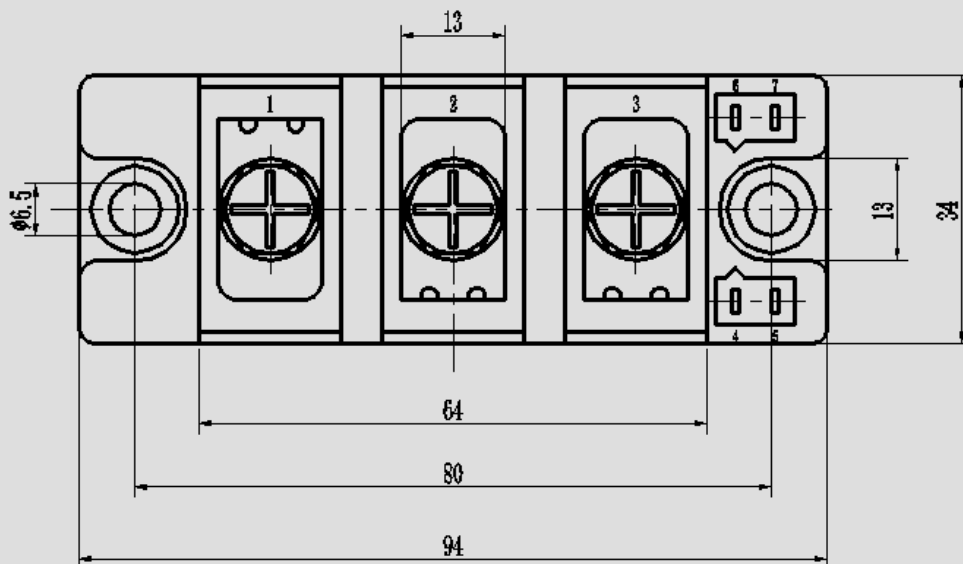
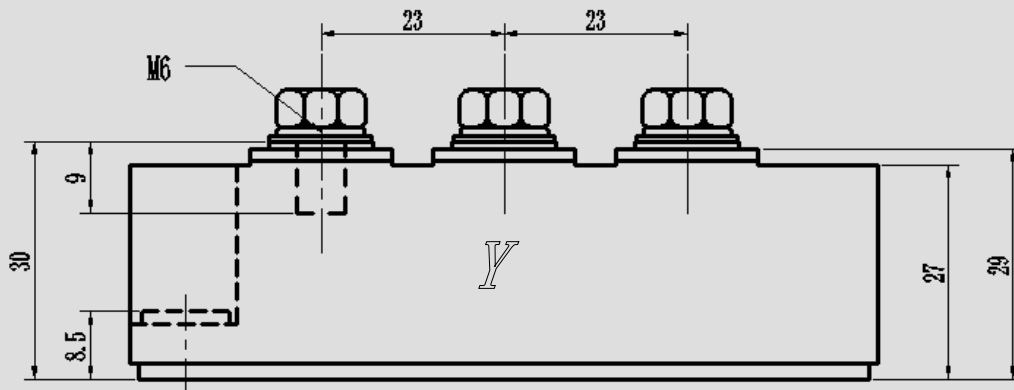
Symbol	Conditions
--------	------------





**Package Outline Information**

**CASE: F2N**



**Dimensions in mm**