



'6 7HVWHG

" ([FHOHQW S DFN DWHGLR/VLSDWLRQ
 "+LJK GHQVLW\ FHOQ GHVLJQ IRU ORZ 5
 " ORLVWXUH 6HQVLWLYLW\ /HYHO
 " (SR[\ 0HHWV 8)ODPDELOLW\ 5DWLQJ
 "+DORJHQ)UHH
 " 3DUW QR ZLWRKHVXIVL\$(& 4 TXDOLILHG
 " 3RZHU VZLWFKLQJ DSSOLFDWLRQ
 " 8QLQWHUUXSWLEOH SRZHU VXSSO\
 "'& '& FRQYHUWU
 " 9 \$XWRPRWLYH V\VVHPV

v 7\$ -

	7\$ -			\$
	7& -			
	7& -			
3XOVHG 'UDLQ &XUUHQW				

\$YDODQFKH⁶ HGHUJ\ (\$6 P-

-XQFWLRQ DQG 6WRUDJH 7HPSHUDWXUH 5DQJH	77	7		-

	6WHDG\ 6WDWH	-\$	5	
--	--------------	-----	---	--

7KHUPDO 5HVLVWDQFH -XQFWLRQ WR &DVH -& 6WHDG\ 6WDWH 5

			3\$&.\$*(SFV	,11(5 %2; 48\$17,7< SF	287(5 &\$572 48\$17,7< SF	'(/,9(5< 02'('
<-* '* +4)	<-* '* +				3 UHHO

6 ' <DQJJKRX <DQJMEH HOKG WOROQ &R /WG

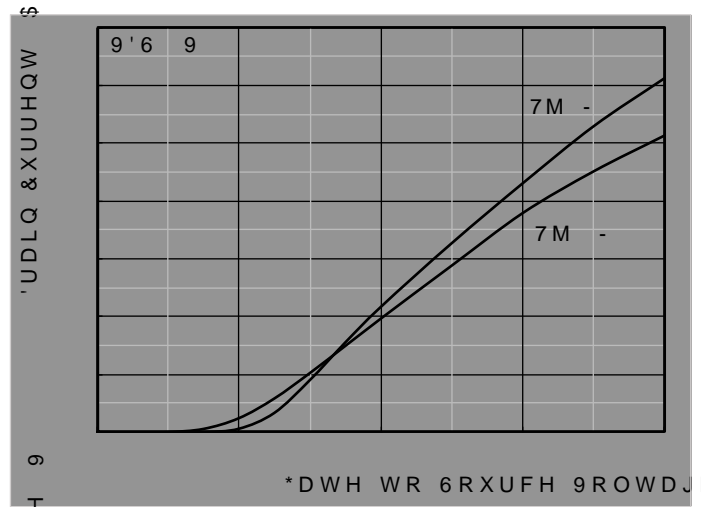
5HY ØQP 9

\$6 7HVWHG

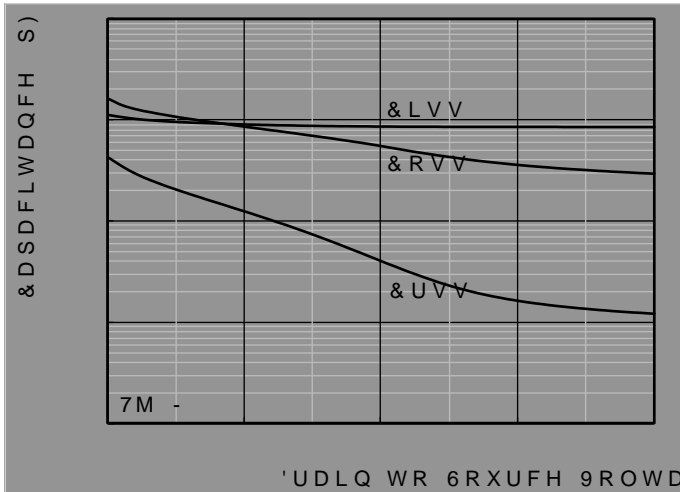


v 7 XQOHVV RWKHUZZLVH QRWHG

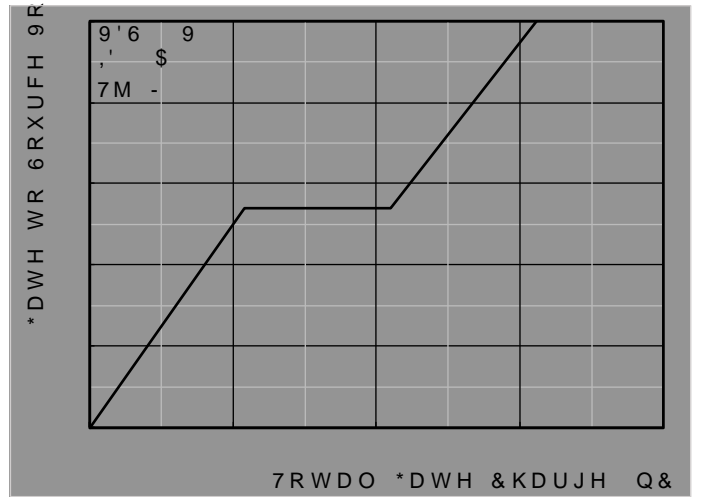
'UDLQ 6RXUFH %UHDNGRZQ 9ROWDJH	*6	9, P\$	9			9
=HUR *DWH 9ROWDJH 'UDLQ &XUHQW	*6	9, 9 9	9			\$
*DWH %RG\ /HDNDJH &XUHQW	*6,	" 9 9 9	9		"	Q\$



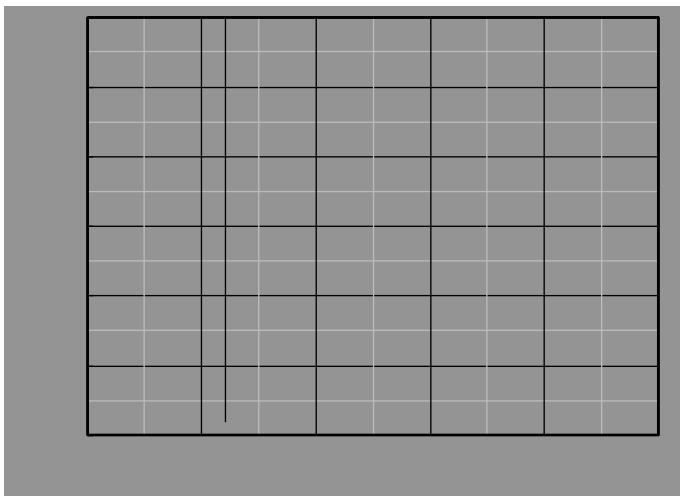
)LJXUH 2XWSXW &KDUDFWHLVWLFV)LJXUH 7UDQVIHU &KDU



)LJXUH &DSDFLWDQFH &KDU



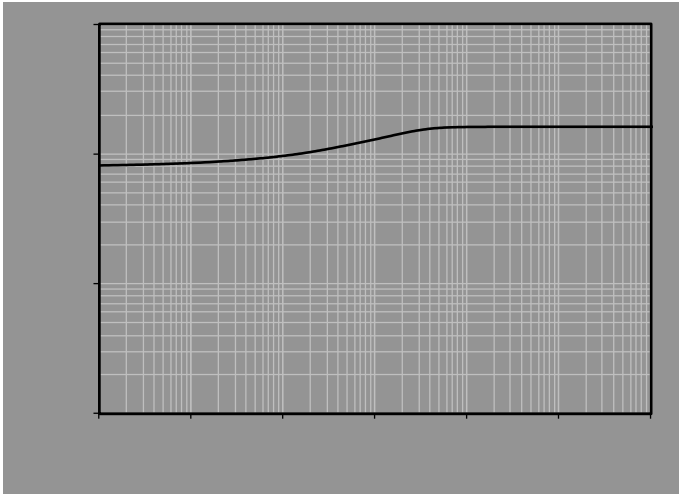
)LJXUH *DWH &KDU

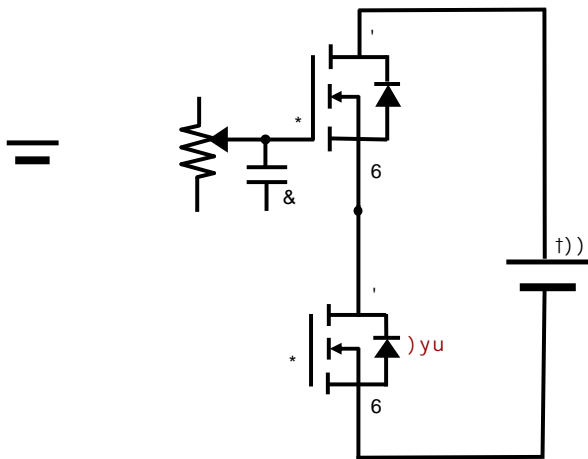


)LJXUH 5HVLVWDQFH YV *DWH WR 6RXUFH 9ROWDJH



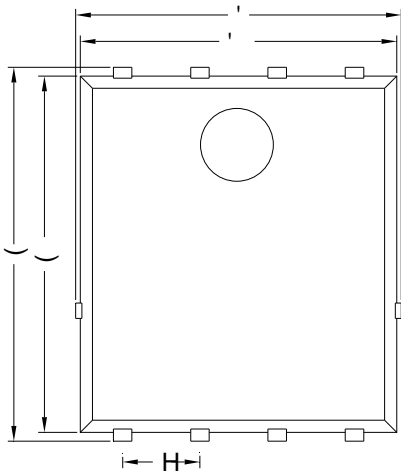
ÉDU 0) ` ¥ P 0 € @ € Ç 0 € Qñ7i 2Xv@T5 À 0



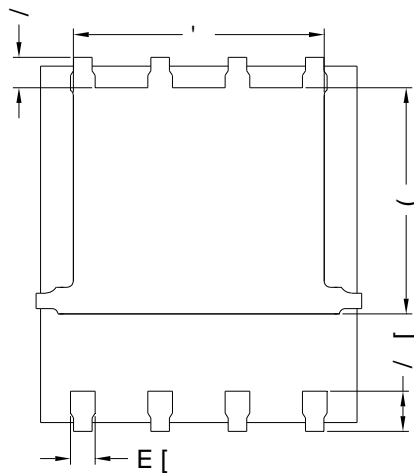




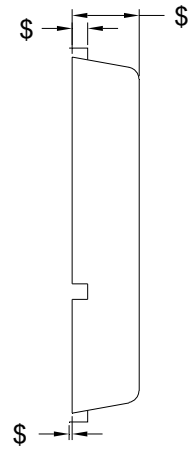
V



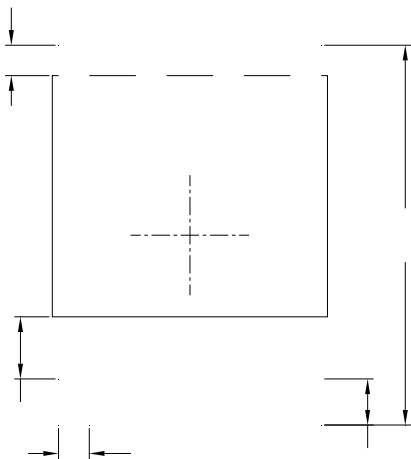
7RS 9LHZ
!M'ö.



%R WWRP 9LHZ
6üM'ö.



6LGH 9LHZ
xM'ö.



6 < 0 % 2 /	0, //, 0 (7 (5		
	0,1	120	0 \$;
,			
(
\$			
\$	% 6 &		
\$			
,			
(
,			
(
(5 ()		
(5 ()		
/			
/	% 6 &		
E			
H	% 6 &		

1RWH
 6XJJHVWHG 6ROGHU 3DG /D\RXW
 7RS 9LHZ
 &R QWUROOLQJ GLPHQVLRQ LQ PLOOLPHW
 *HQHUDO WROHUDQFH " PP
 7KH SDG OD\RXW LV IRU UHIHUHQFH SXUS

< - * ' * + 4

<DQJJKRX <DQJMLH (OHFWURQL