



# YJQ40G10AQ

---

## N-Channel Enhancement Mode Field Effect Transistor

### Product Summary

|                            |      |
|----------------------------|------|
| $V_{DS}$                   | 100V |
| $I_D$                      | 40A  |
| $R_{DS(ON)}$ ( at $V_{GS}$ |      |

# YJQ40G10AQ

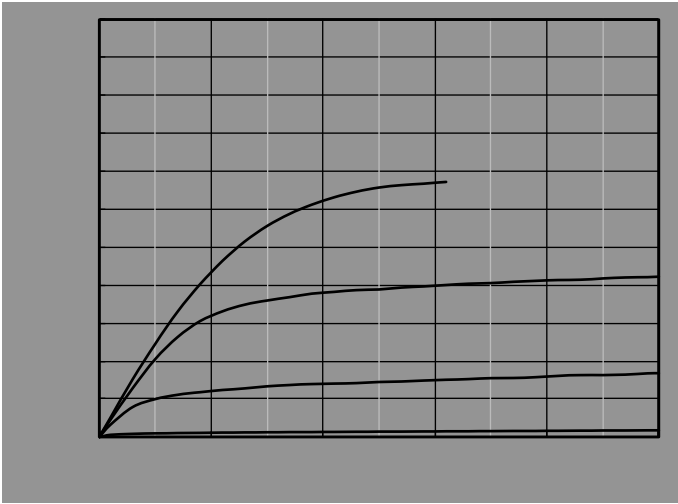
---

## Electrical Characteristics ( $T_J=25$ unless otherwise noted)

| Parameter | Symbol | Conditions | Min | Typ | Max |
|-----------|--------|------------|-----|-----|-----|
|-----------|--------|------------|-----|-----|-----|

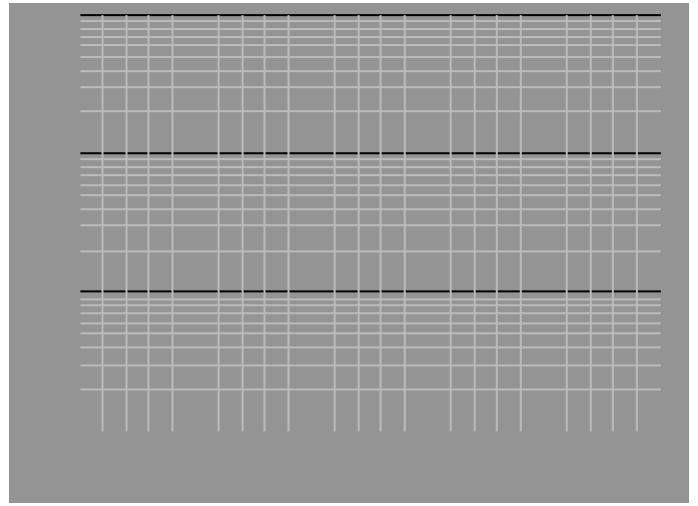
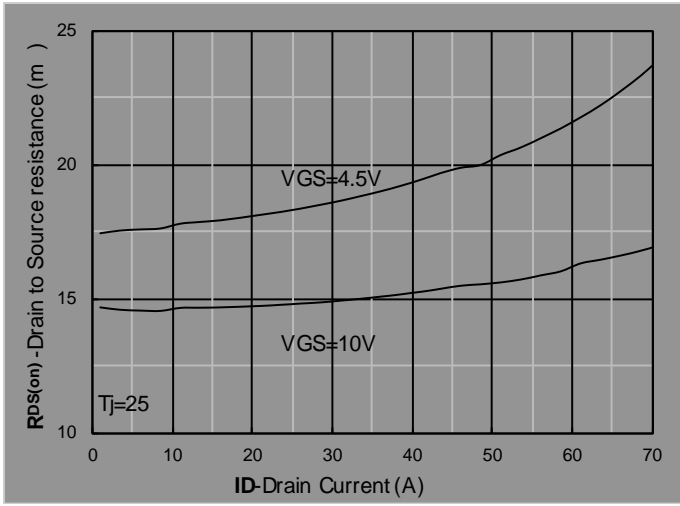


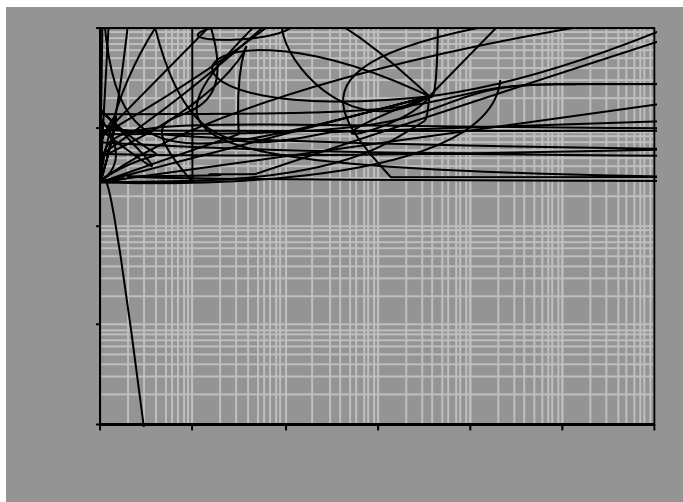
Typical Electrical and Thermal Characteristics Diagrams



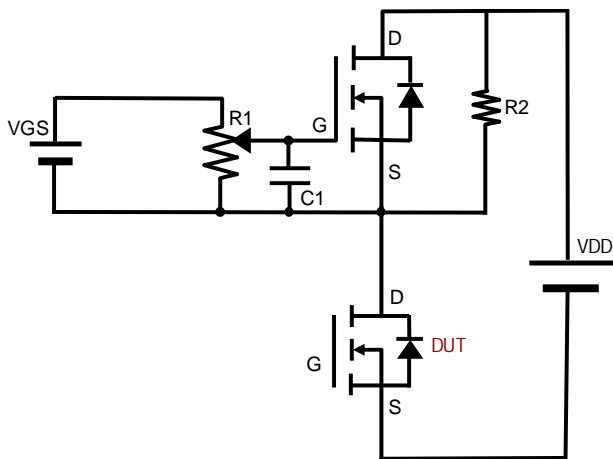
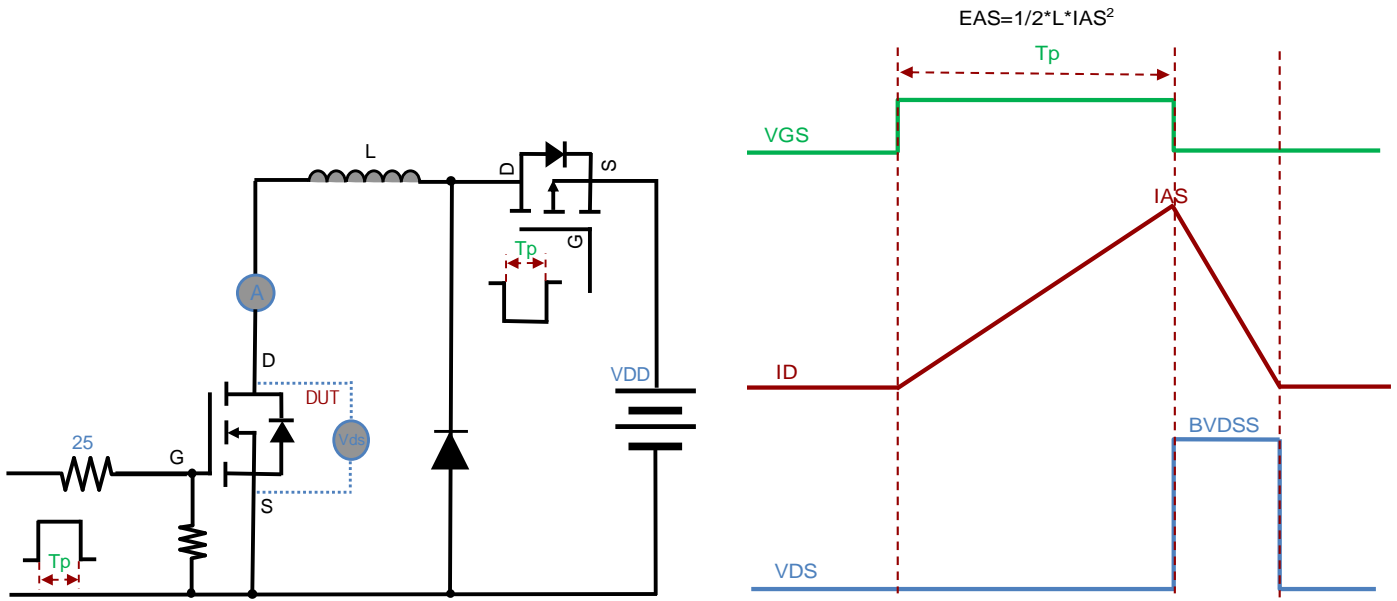


# YJQ40G10AQ



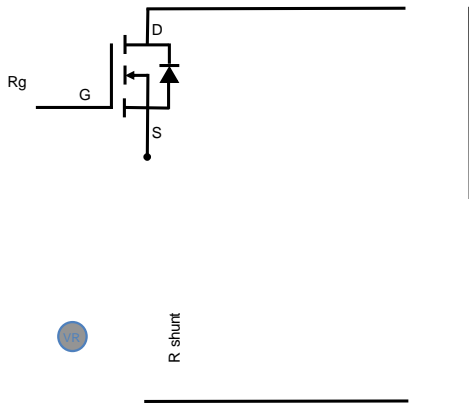


## Test Circuits & Waveforms





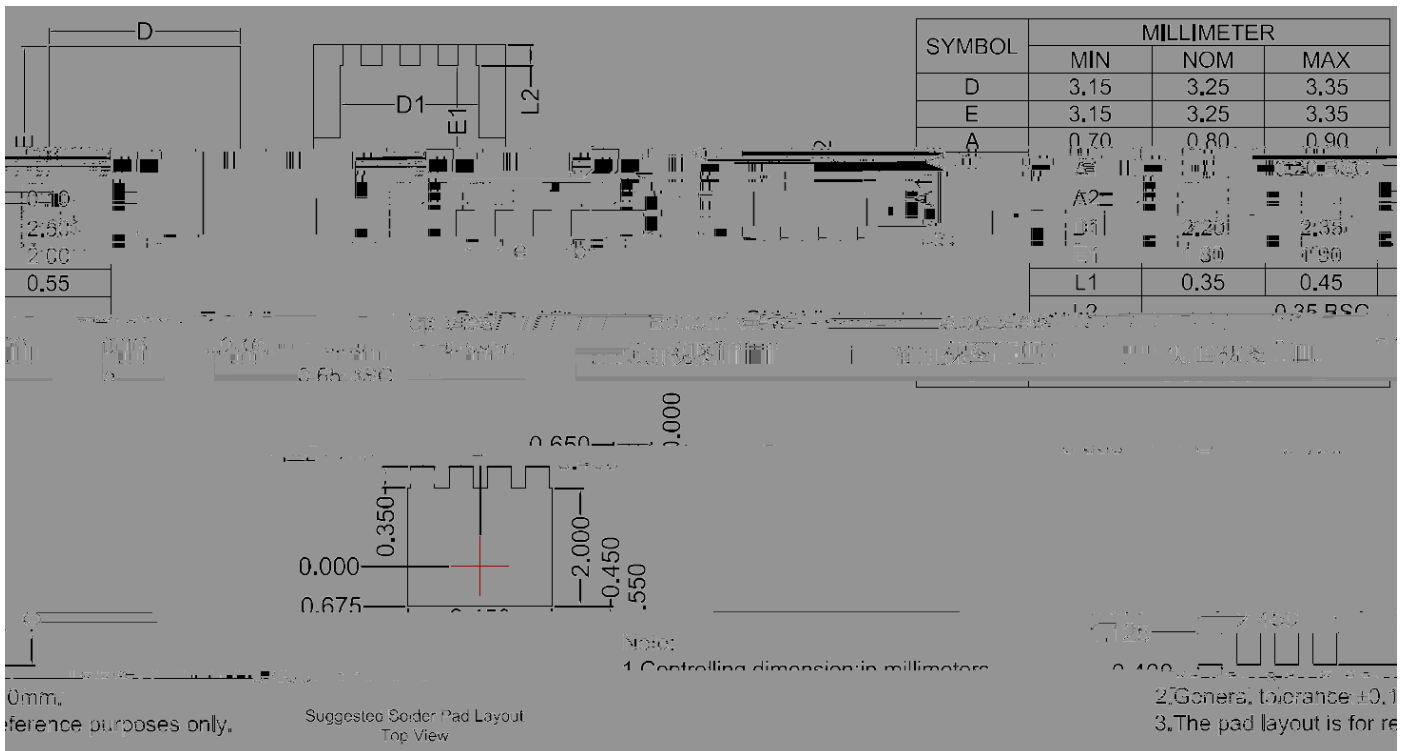
# YJQ40G10AQ





# YJQ40G10AQ

## DFN3333-8L Package information





## YJQ40G10AQ

---

### Disclaimer

The information presented in this document is for reference only. Yangzhou Yangjie Electronic Technology Co., Ltd. reserves the right to make changes without notice for the specification of the products displayed herein to improve reliability, function or design or otherwise.

The product listed herein is designed to be used with automotive electronics are not designed for use in medical, life-saving, lifesustaining, or military, Yangjie or anyone on its behalf, assumes no responsibility or liability for any damages resulting from such improper use of sale.

This publication supersedes & replaces all information previously supplied. For additional information, please visit our website <http://www.21yangjie.com> , or consult your nearest Yangjie's sales office for further assistance.