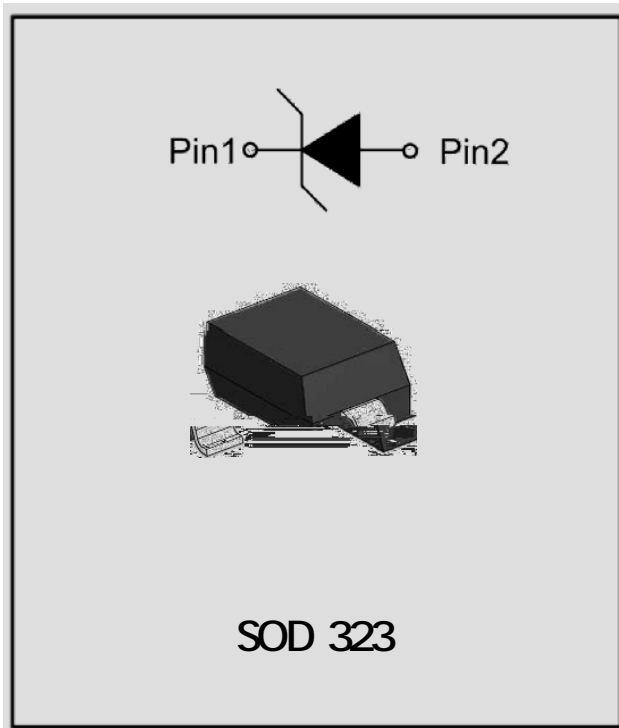


1- Line, Uni-directional, ESD protection diode



Features

- Transient protection for each line according to
 - IEC61000-4-2(ESD): $\pm 30\text{kV}$ contact, $\pm 30\text{kV}$ air
 - IEC61000-4-5: 7A ($t_p=8/20\mu\text{s}$)
- Low leakage current
- Ultra low clamping voltage
- RoHS Compliant
- Part no. with suffix "Q" means AEC-Q101 qualified

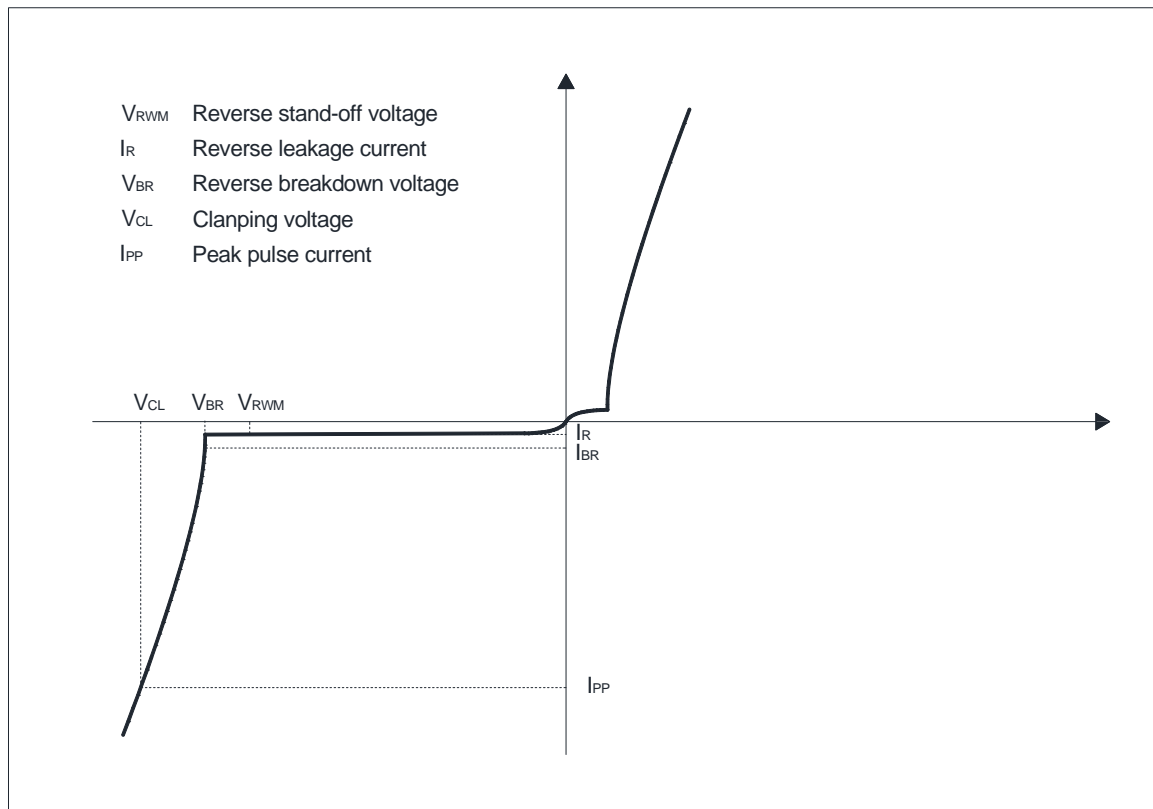
Applications

- Switches / Buttons
- Test Equipment/Instrumentation
- Point of Sale Terminals
- Medical Equipment
- Notebooks / Desktops / Servers
- Computer Peripherals
- CAN Bus protection
- Automotive applications

Mechanical Data

- Package: SOD-323
- Lead Finish: Matte Tin
- Case Material: "Green" Molding Compound
- Moisture Sensitivity: Level 1 per J-STD-020

Definitions of electrical characteristics



(6 ' 9 ' 4

V0D[LPXP 5DWLQJV

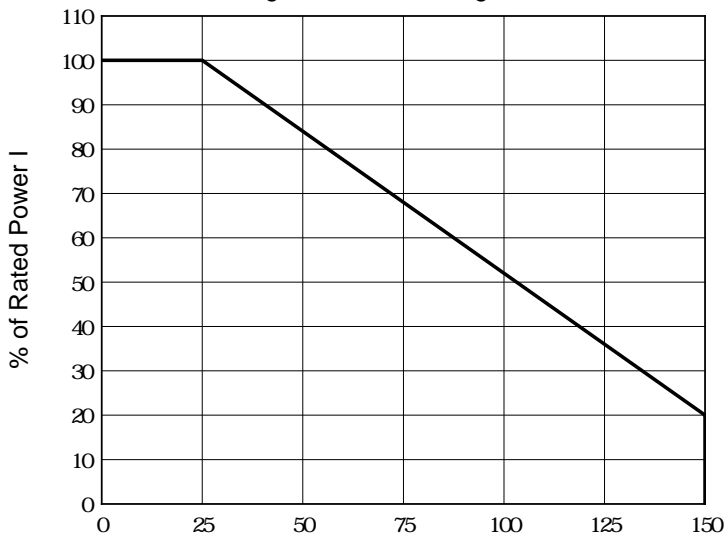
3\$5\$0(7(5	6<0%2/	/,0,76	81,7
-------------	--------	--------	------

3HDN SXOVH SRZHV W

3SN

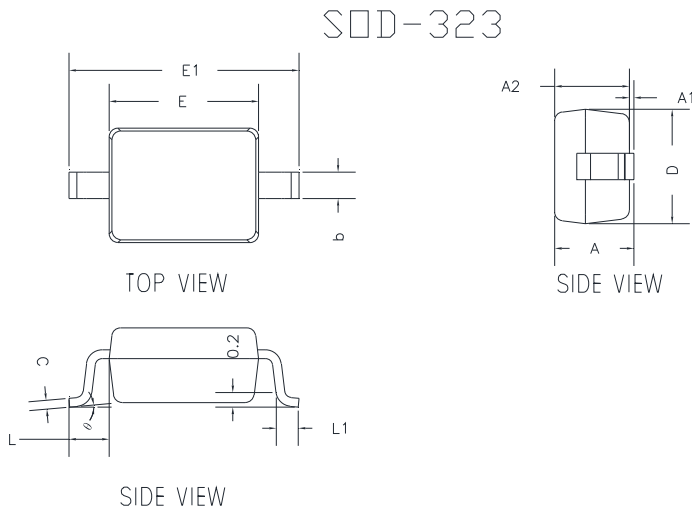


Fig.3: Power Derating Curve



ESD24VD3Q

Outline Dimensions



DIMENSIONS

DIM	INCHES		MM	
	MIN	MAX	MIN	MAX
A	---	0.0393	---	1.0000
A1	0.0000	0.0039	0.0000	0.1000
A				

Marking Information

| 24.

Note:

1. All marking is at middle of the product body
2. All marking is in laser marking
3. Body color: Black
