



## NPN Silicon High Voltage Transistor

### Features

Epoxy meets UL-94 V-0 flammability rating and halogen free  
Moisture Sensitivity Level 1  
High Conductance  
High Breakdown Voltage  
Surface Mount Package Ideally Suited for Automatic Insertion  
Part no. with suffix "Q" means AEC-Q101 qualified

### Application

General purpose Switching and linear amplification

### Mechanical Data

**Package:** SOT-323

**Terminals:** Tin plated leads, solderable per  
J-STD-002 and JESD22-B102

**Marking:** K3M

### Maximum Ratings (Ta=25 unless otherwise noted)

Item	Symbol	Unit	Value
Collector-Base Voltage	$V_{CBO}$	V	300
Collector-Emitter Voltage	$V_{CEO}$	V	300
Emitter-Base Voltage	$V_{EBO}$	V	5
Collector Current	$I_C$	mA	100
Collector Power Dissipation (*)	$P_C$	mW	200
Thermal Resistance Junction to Ambient (*)	$R_{thJA}$	K/W	625
Operation Junction Temperature	$T_j$		-55 to +150
Storage Temperature	$T_{stg}$		-55 to +150



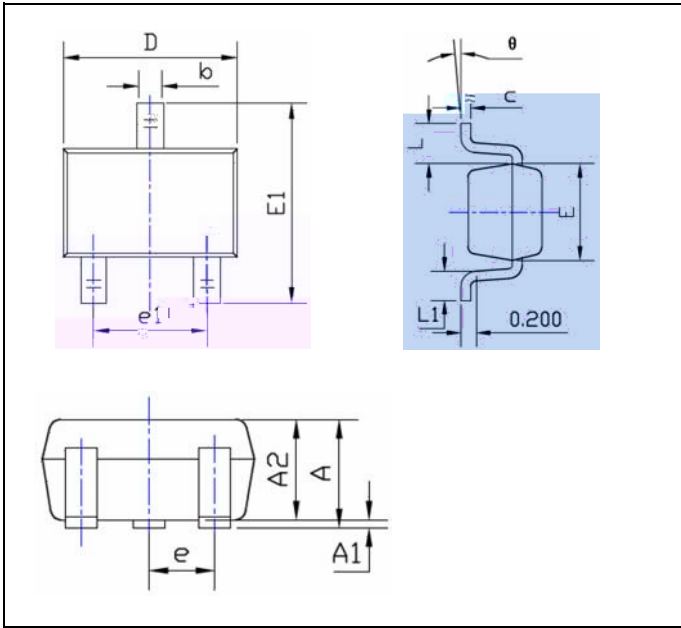
## Electrical Characteristics (Ta=25 unless otherwise noted)

Item	Symbol	Unit
------	--------	------

#!\$

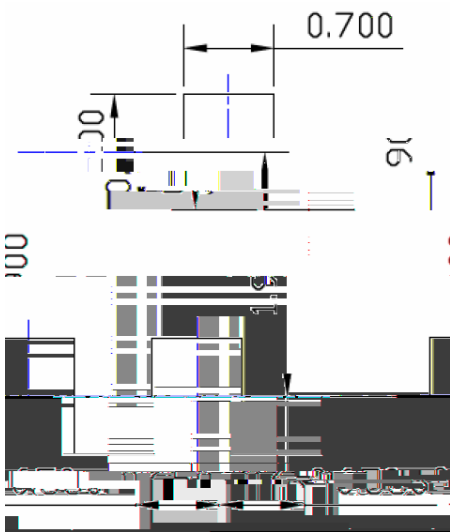
##\$  
<DQJ]KRX <DQJMLH (OHFWURQLF 7@ ØQŠM@ 1FWFP@ PP• -`f

## SOT-323 Package Outline Dimensions

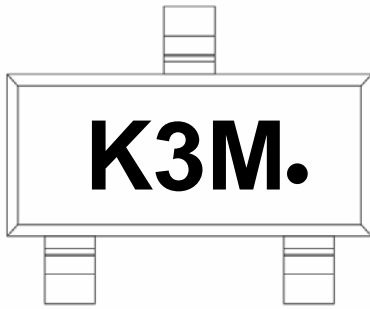


SYMBOL	DIMENSIONS			
	INCHES		Millimeter	
	MIN.	MAX.	MIN.	MAX.
A	0.035	0.043	0.900	1.100
A1	0.000	0.004	0.000	0.100
AP	0.035	0.039	0.900	1.000
D	0.006	0.016	0.150	0.400
b	0.004	0.010	0.100	0.250
E1	0.087	1.800	2.200	0.000
e1	0.053	1.150	1.350	0.000
A2	0.001	0.001	0.001	0.001
A	0.650	0.650	0.650	0.650
A1	0.055	1.200	1.400	0.047
e	0.525	0.525	0.525	0.525
e1	0.260	0.260	0.260	0.260
L1	0.010	0.010	0.010	0.010
c	0.000	0.000	0.000	0.000
$\theta$	0.000	0.000	0.000	0.000

## SOT-323 Soldering Footprint



Unit mm

**Marking Information****Note:**

1. All marking is at middle of the product body
2. All marking is in laser marking
3. K3M is Marking Code
4. Body color: Black



---

**Disclaimer**

The information presented in this document is for reference only. Yangzhou Yangjie Electronic Technology Co., Ltd. reserves the right to make changes without notice for the specification of the products displayed herein to improve reliability, function or design or otherwise.

The product listed herein is designed to be used with automotive electronics are not designed for use in medical, life-saving, lifesustaining, or military, Yangjie or anyone on its behalf, assumes no responsibility or liability for any damages resulting from such improper use of sale.

This publication supersedes & replaces all information previously supplied. For additional information, please visit our website [http:// www.21yangjie.com](http://www.21yangjie.com) , or consult your nearest Yangjie's sales office for further assistance.