

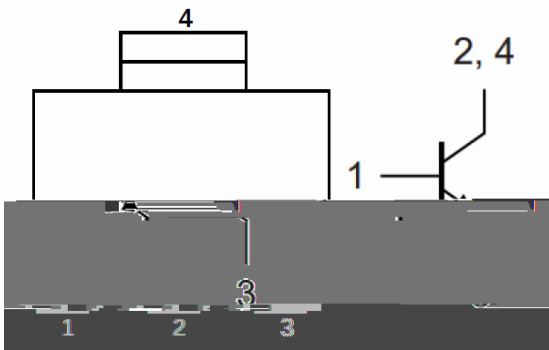
131 \*HQHUDO 3XUSRVH \$PSOLILHU



)HDWXUHV  
 •••0 €0 °À0 "€HWV"8/ "9 "IODPPDELOLW\ "UDW  
 "• 0 ÀpVXUH"6HQVLWLYLW\ "/HYHO" "  
 "• Q™0 a"A•q•€Q"@pLRQ"YROWDJH"\$• 0A" á"A" H • Đ0"  
 HUPLQDOV• • 0LQ"SO DWHG OH DGVÿ"q• ðp••PDEOH"  
 QG -(6' %

% & 3	% & 3
% & 3	% & 3

v(TXLYDOHQW FLUFXLW



v0D[LPXP 5DWZDJV XQOHVV RWKHUZLVH QRWHG

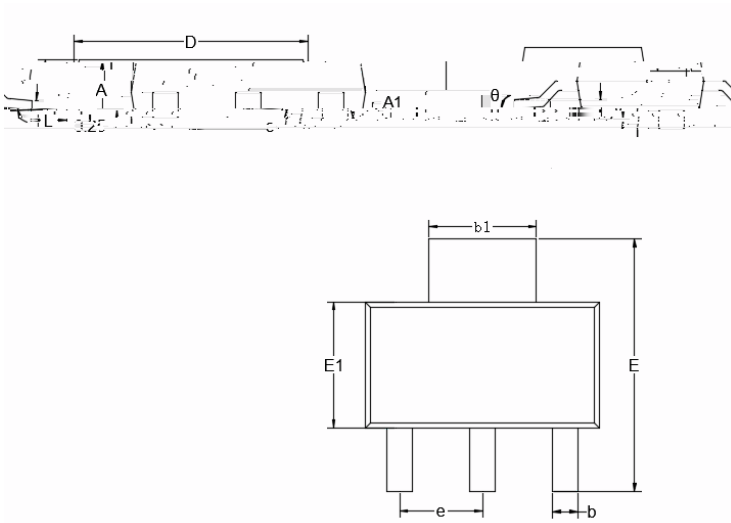
,WHP	6\PERO	8QLW	&RQGLWLRQV	9DOXH
0LQLPXP &ROOHFWRU (PLWWHU 9ROWDJH			9 & 9P\$ %,	Hp
			& X\$ ( ,	
0LQLPXP (PLWWHU %DVH 9ROWDJH	(%2		9 ( 9 X\$ & ,	
&ROOHFWRU &XUUHQW	&	,	\$	
3RZHU 'LVVLSQWLRQ	3		:	
7KHUPDO 5HVLVWDQFH )URP -XQFWLRQ 7R \$PELHQW				
2SHUDWLRQ -XQFWLRQ 7HPSHUDWXUH M		-	7	WR
6WRUDJH 7HPSHUDWXUH	vWJ	- 7		WR



% & 3

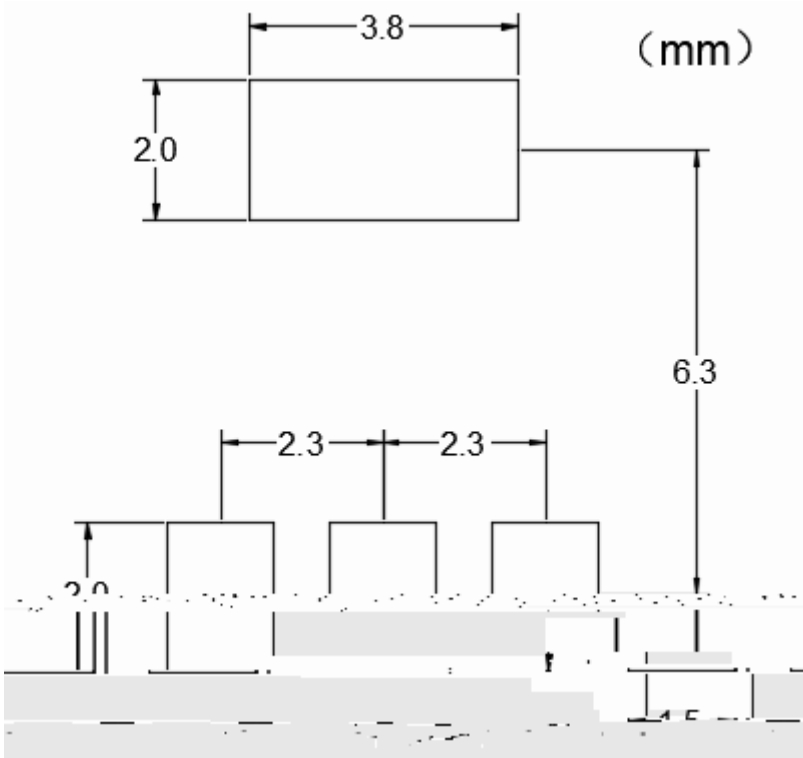


v627 3DFNDJH 2XWOLQH 'LPHQVLRQV



DIM	DIMENSIONS			
	INCHES		MM	
	MIN	MAX	MIN	MAX
A	0.0591	0.0670	1.5000	1.7000
A1	0.0008	0.0039	0.0200	0.1000
b1	0.0070	0.0090	0.1600	0.2000
E	0.0100	0.0140	0.2500	0.3000
e	0.0000	0.0000	0.0000	0.0000
b	0.0000	0.0000	0.0000	0.0000
E1	0.0000	0.0000	0.0000	0.0000
θ	0°	10°	0°	10°

v627 6XJJHVWHG 3DG /D\RXW





'LVFODLPHU

7KH LQIRUPDWLRQ SGRFMDMWH LV IRKLVHDIHQJHFKH<RQJMLH (OHFWURQLF 7HFKQRO  
ULJKW WR PDNH FKDLFHVRZLWKRXWSKRLSLURDQXKFRQV RGLWSOD\HG KHUHLQ WURGLFSLURQ  
RU RWKHUZLVH

7KH SURGXFW OLVWHG KHUHLQ LV GHVLEHWGRVQR FEHTXVLSG HZLWKRUR LGHYLQFHVWIDQG  
HTXLSPHQW RU GHYLFHV ZKLFK UHTGLWKKHEDJOXHYFWOGRQLRHOZMDYKORVODQXFKDKXP  
PHGLFDO LQVWUXPHQWVITWLSRQHVSURUWHVURVSDXFFD FDEKWLQDFWPHLOFRQDQGRBODHMMU V  
GHYLFHV <DQJMLH RU DQIRQH RQ LWVOEMWKDQI OLVEXPHLWQRURWHDVSRQVPEBJKHVHUV  
RIVDOH

7KLV SXEOLFDWLRQSVXSHUWIDGIDLQURUPDQVLSRQLSGHYRURXVGGWLWRQDO LQWRHUPDWLR  
KWWS ZZZ \DQJMLH FRP RU FRQDQWRRXLFHQHFWHXYUW<DQJMLH VWDQFH