

## Dual PNP Small Signal Transistor



### Features

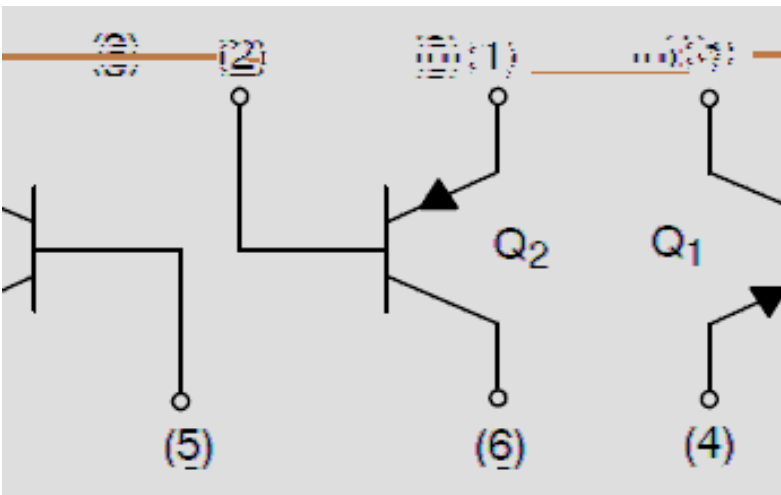
### Mechanical Data

Package:

Terminals:

Marking:

### Equivalent circuit





# BC856BS

## Maximum Ratings Q1&Q2-PNP

Å

Item	Symbol	Unit	Conditions	Value

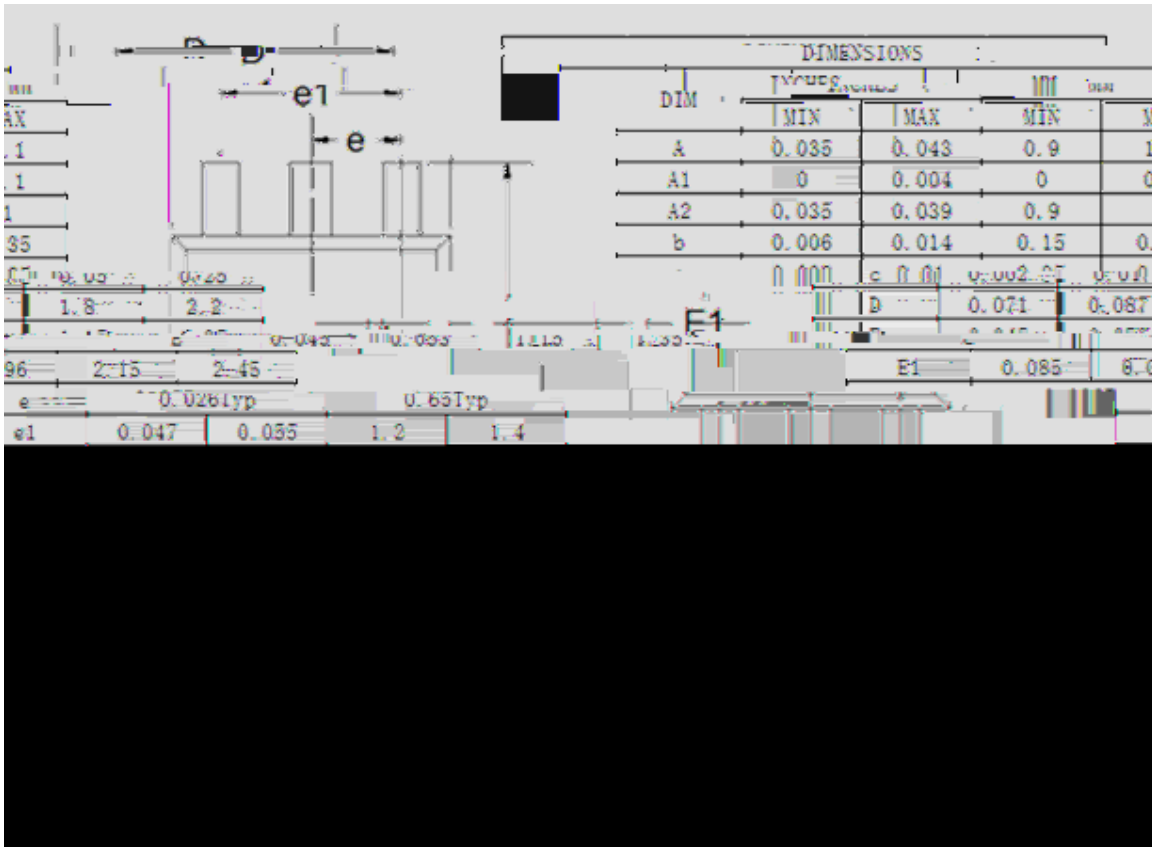
4 hP@1€—r0

• @ @ • @ P 0 0 0

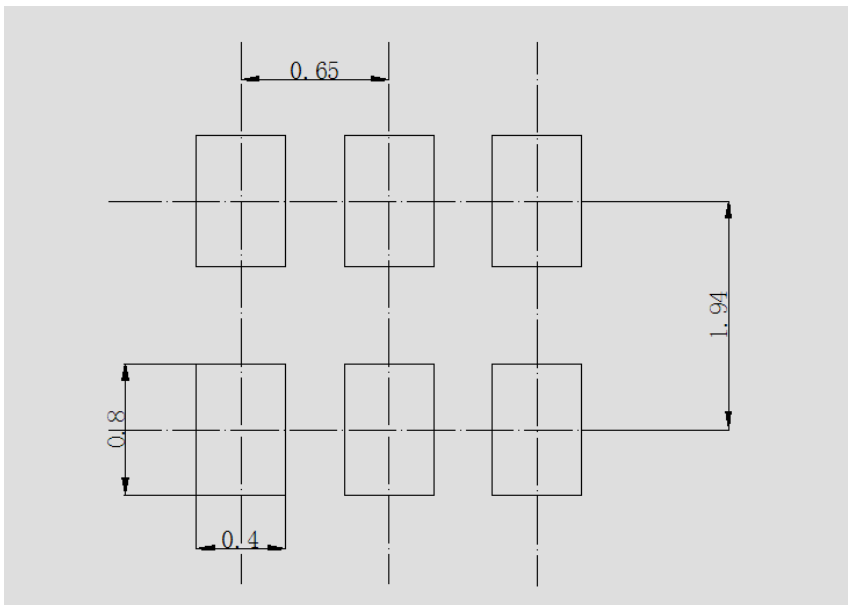




SOT-363 Package Outline Dimensions



SOT-363 Suggested Pad Layout



Unit Ömm

