

Dual PNP Small Signal Transistor



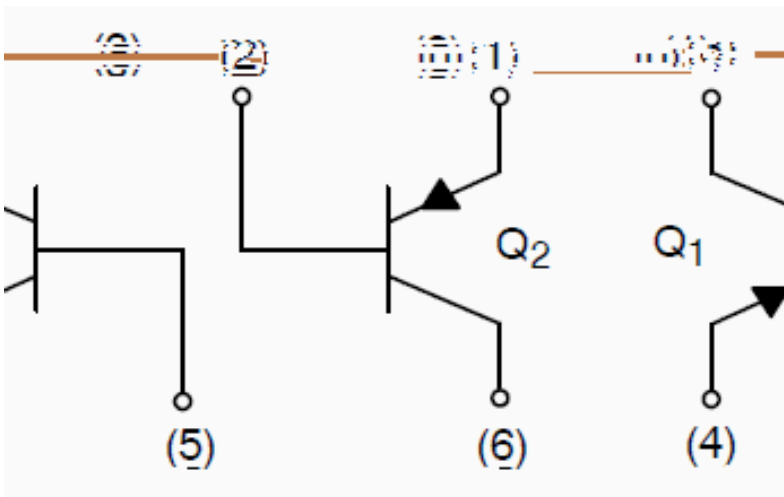
Features

- " (SR[\ PPHWV 8\ODP PDELOLW\ UDWLQJ
- " 6XUIDFH PRXQWLGBBDD\ \$XW WPHDWIRFU ,QVHUW
- " 313

Mechanical Data

- " Package: 627
- " Terminals: 7LQ SODWHG OHDGV VROGHUDEOH S
- 67' DQG -(6' %
- " Marking:)

Equivalent circuit





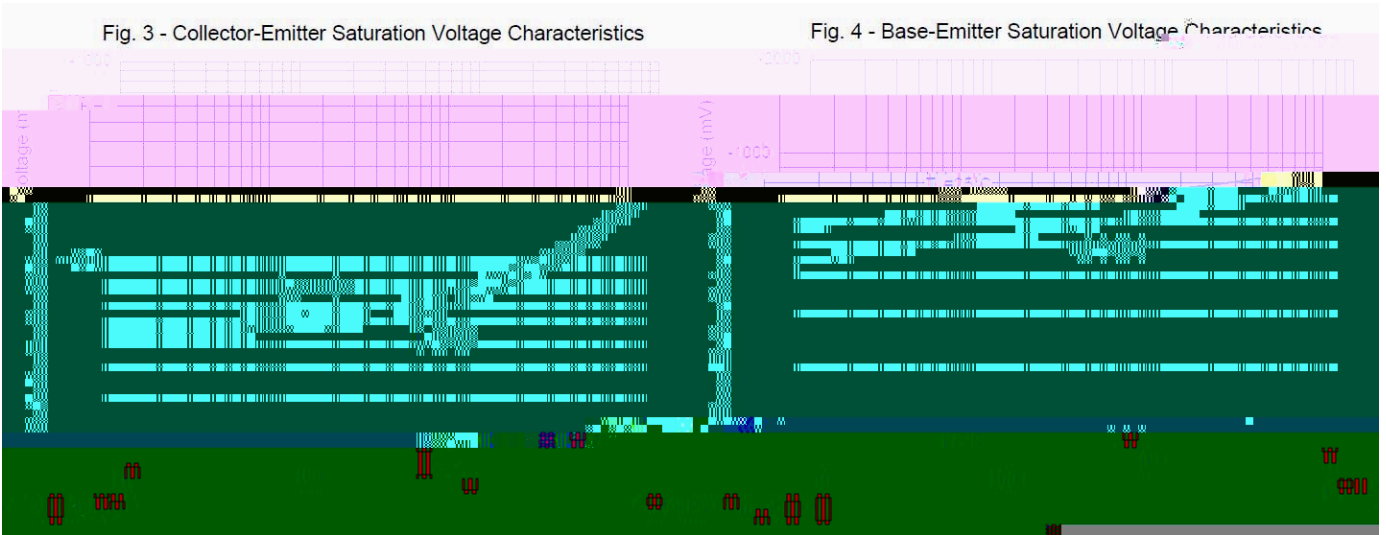
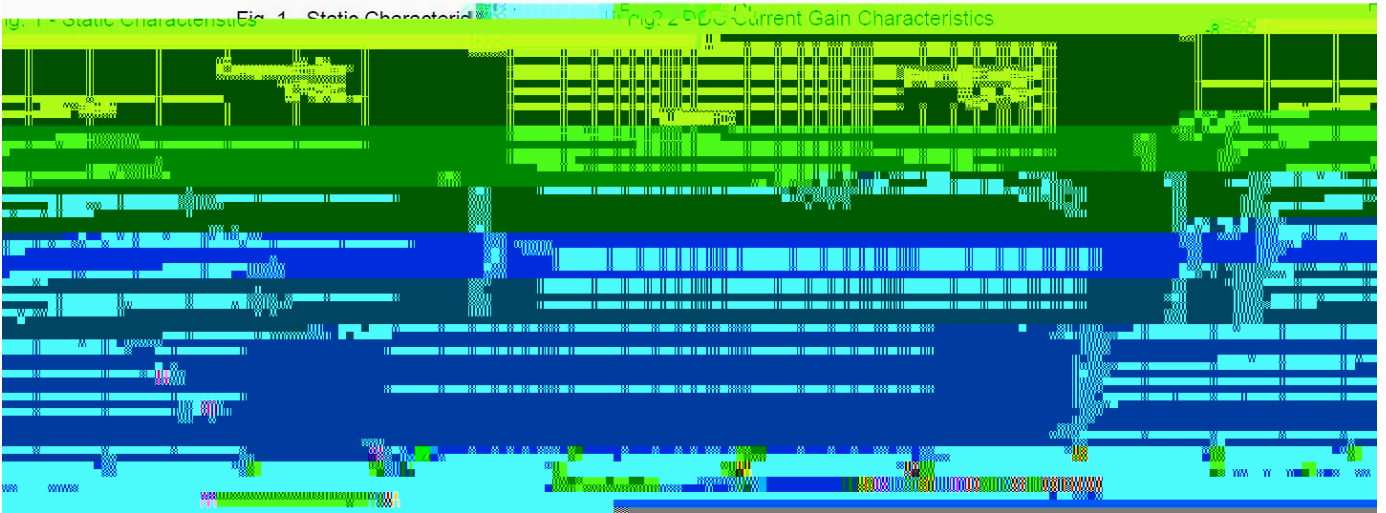
BC857BS

Maximum Ratings 7 D 8 QOHVV RWKHU ÅLVH VSHFLILHG
Q1&Q2-PNP

Item	Symbol	Unit	Conditions	Value
&ROOHFWRU %DVH 9ROWDJH			9 & % 2 9 , &	\$, (
&ROOHFWRU (PLWWHU 9ROWDJH			9 & (2 9 , &	P\$, %
(PLWWHU %DVH 9ROWDJH			9 (% 2 9 , (\$, &
&ROOHFWRU &XUUHQW			& P\$	



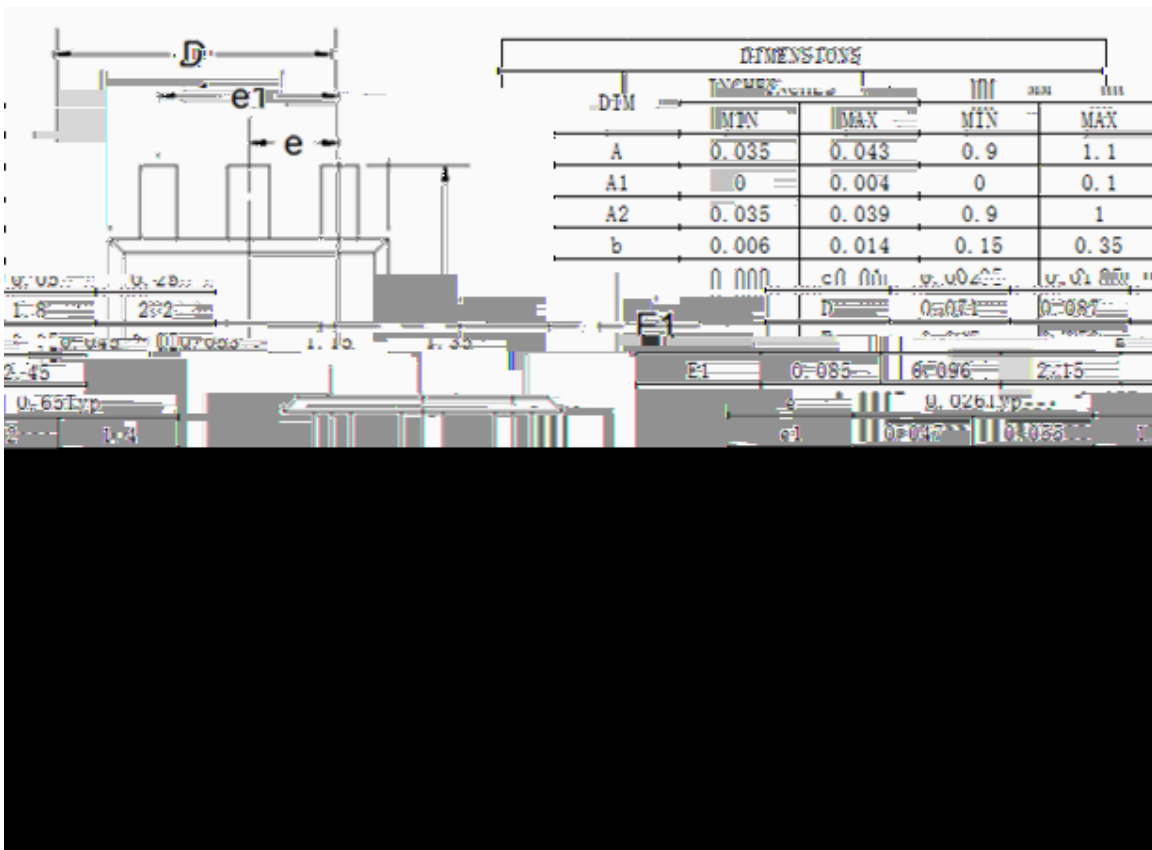
Characteristics 7 \ S L F D O
Q1&Q2-PNP



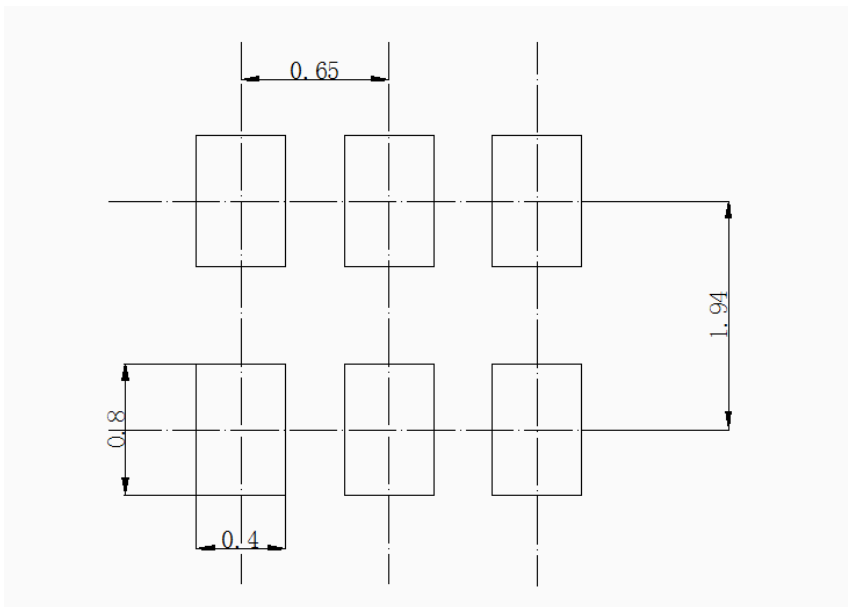


BC857BS

vSOT-363 Package Outline Dimensions



SOT-363 Suggested Pad Layout



Unit Ömm



Disclaimer

7KH LQIRUPDWLRQ SGRVHQMHG LV IRXNLVHDIHQJHQRH<BQJMLH (OHFWURQLF 7HHKQRO
ULJKW WR PDNH FKDLQJHVRZLWKR XWSKRLSULFDG\KFRQ/ RGLWSOD\HG KHUHLQ WURGLPVLWRY
RU RWKHUZLVH

7KH SURGXFW OLVWHG KHUHLQ LV GHVQLHGWGRFEHTXVLSBHZLWKRURGGHLYLDFHWVWIDQG
HTXLSPHQW RU GHYLFHV ZKLFK UHTGLWKHKEJDOXHQFHVQGRQLWJHOLWDLQIRVGDQJHU
PHGLFDO LQVWUXPHQWVITWLSDFHGSVRUWHHURVSOXFFHDFDEKWLQDFWFLDFFRQVWLRGRODHHU
GHYLFHV <DQJMLH RU DQIRQH RQ LWVDEWKDRI ODVEXLPHLWQRURWHDGSRQDREBJHVHUV
RIVDOH

7KLV SXEOLFDWLRQISVXSHHUVHDIQVLQURQJPDVLSRQLSGHYRURXVGGWLWRQDO LQWRHUPDWLR
KWWS ZZZ \DQJMLH FRP RU FRQDQGWRRXLFHQHFDW\HXUW<DQJMLH VWDQFH