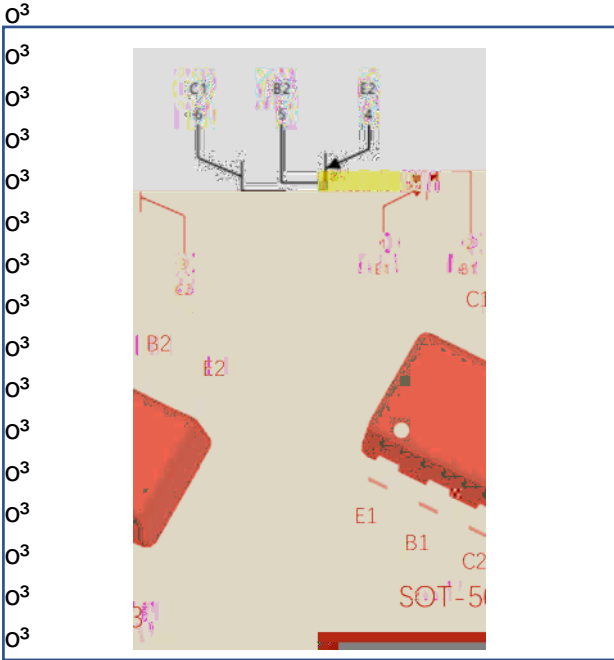




0"
(07 0"

RoHS
COMPLIANT

'XDO 313 6PDOO 6LJQDO 7UDQVLVW



)HDWXUHV

\$SSOLFDWLRQ
z 6LJQDO DPSOLILFDWLRQ
z 6ZLWFKLQJ FLUFXLW

0HFKDQLFDO GDWD
z 3DFNDJH 27 0³
z 7HUPLODQ SODWHG OHDG VRO
- 67' DQG -(6' 0³⁰%

v0D[LPXP 5DWLQJ 8QOHVV RWKHUZLVH VSHFLILHG

| ,WHP | 6\PERO | 8QLW | &RQGLWLRQV | 9DOXH |
|---------------------------|--------|------|------------|-------|
| 'HYLFH PDUNLQJ FRGH | | | | |
| &ROOHFWRU EDVH YROWDJH | &%2 | | 9 X\$, 9 | , |
| &ROOHFWRU HPLWWHU YROWDJH | &(2 | | & P\$, 9 | , |
| (PLWWHU EDVH YROWDJH | (%2 | | 9 (X\$, 9 | , |
| &ROOHFWRU FXUUHQW | & | P\$ | , | |
| 3RZHU GLVVLSDWLRQ | 3 | P: | | |
| -XQFWLRQ WHPSHUDWXUH | - | - | 7 | WR |
| 6WRUDJH WHPSHUDWXUH | 67' | - | 7 | WR |

0³
0³
0³
0³
0³
0³



0"
(07 0"

RoHS
COMPLIANT

0³
0³
0³
0³

| ,WHP | 6\PERO | 8QLV | &RQGLWLRQV | 0LQ | 7\S | 0D[|
|------------------------------|----------|------|-------------------|-----|-----|-----|
| &ROOHFWRU EDVH EUHDNGRZQ | YROWD | JH | X\$, 9 | | | |
| &ROOHFWRU HPLWWHU EUHDNGRZQ | YROWD | JH | \$ 9 | | | |
| (PLWWHU EDVH EUHDNGRZQ | YROWD | JH | (X\$, | | | |
| &ROOHFWRU FXW RII FXUUHQW | | | 9&% 9Q \$ | | | |
| (PLWWHU EDVH FXWRII FXUUHQW | | | 9(% 9 Q \$ | | | |
| ' & FXUUHQW JDLQ |) | K | &(9&, P\$ 9 | | | |
| &ROOHFWRU HPLWWHU VDWXUDWLRQ | YROWD | JH | \$ 9 | | | |
| 7UDQVLWLRQ IUHTXHQF\ | 7 | | 9&(9(, P\$ + 0+] | | | |
| | H &RE S) | | 9&% 9 ,(\$ I 0+] | | | |

0”



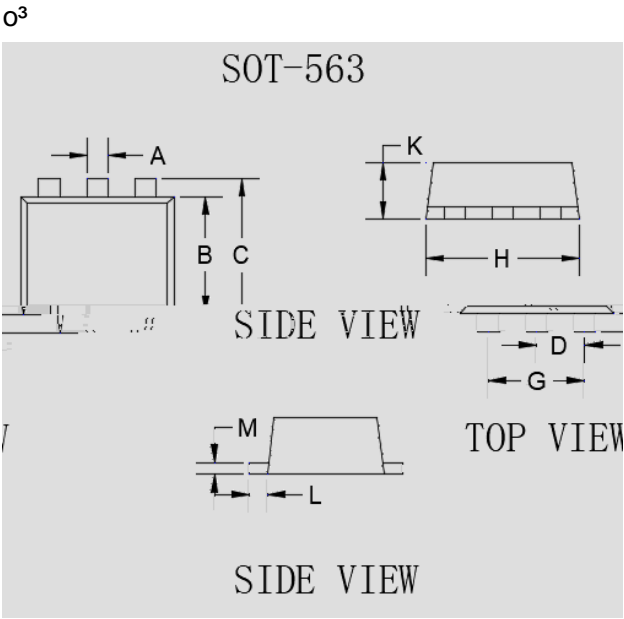
0"
(07 0"

RoHS
COMPLIANT

v2UGHULQJ ,QIRUPDWLRQ

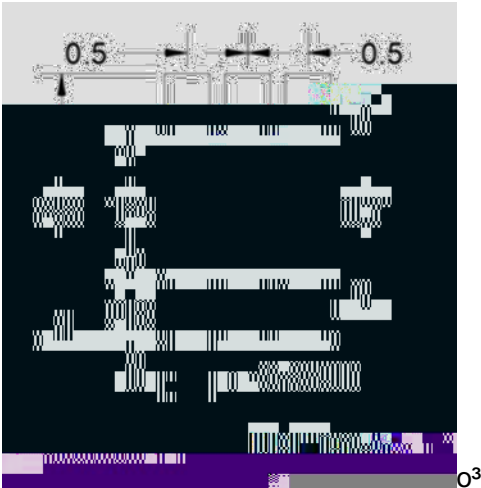
| | | | | | | |
|-----------|---------------|--------------|--------------------|----------------------|-----------------------|---------------|
| 3UHIHUUHC | 3DFNL FRGH | 8QLW ZHLJ | 0LQLPXP SDFNDJH | ,QQHU ER TXDQWLW\ | 2XWHU FDU TXDQWLW\ | 'HOLYHU\ PRGH |
| (07 |) | \$SSUR[LPDWH | | | | |

v2XWOLQH 'LPHQVLRQV



| DIM | DIMENSIONS | | | |
|-----|------------|-------|-------|-------|
| | INCHES | | MM | |
| | MIN | MAX | MIN | MAX |
| A | 0.006 | 0.011 | 0.150 | 0.300 |
| B | 0.043 | 0.051 | 1.100 | 1.300 |
| C | 0.059 | 0.067 | 1.500 | 1.700 |
| D | 0.016 | 0.024 | 0.400 | 0.600 |
| E | 0.025 | 0.042 | 0.600 | 1.100 |
| F | 0.039 | 0.067 | 0.900 | 1.700 |
| G | 0.021 | 0.025 | 0.500 | 0.600 |
| H | 0.004 | 0.011 | 0.100 | 0.300 |
| M | 0.004 | 0.007 | 0.100 | 0.180 |

v6XJJHVWHG 3DG /D\RXW



0 3 0 3



0"
(07 0"

RoHS

COMPLIANT