

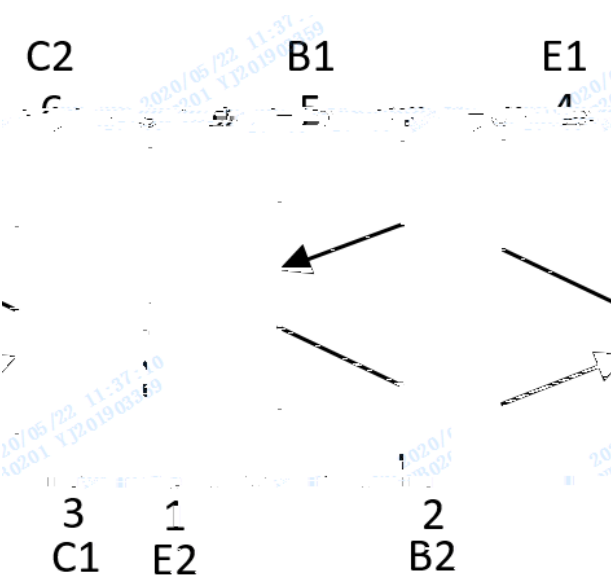


Epoxy meets UL-94 V-0 flammability rating
Surface mount package ideally Suited for Automatic Insertion
PNP

SOT-363

Tin plated leads, solderable per
J-STD-002 and JESD22-B102

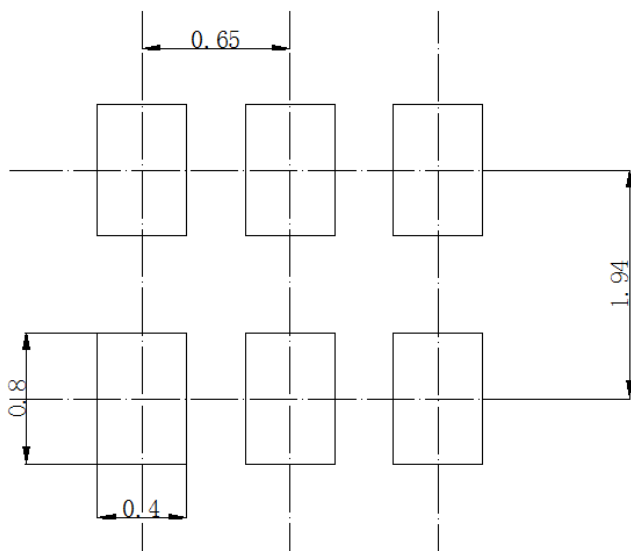
K2T







.



Ö

