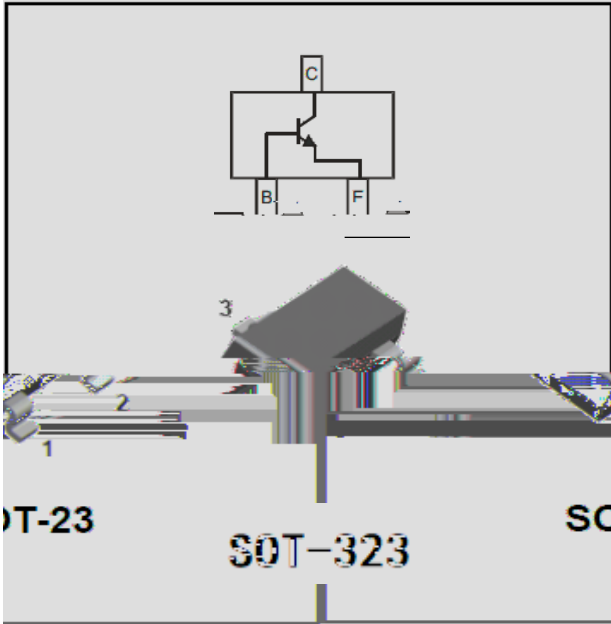


BDB' ; YbYfU`D i fdcgY' 5 a d`JZYf



: YUhi fYg''

AUI]a i a 'FUbh]b[g'

hYa'	Gma Vc''			
			6 1 \$'	% * \$'
7c''YWhcf!6UgY' Jc`hU[Y'	76c''	J'	=7 1 % \$ \$ i 5XjWZ \$'	%, \$'
9 a]hhYf!6UgY' Jc`hU[Y'	96c'	J'	=9 1 % \$ i 5XWZ' \$'	* " \$'
7c''YWhcf' 7 i ffYbh'	7'	a 5'		* \$ \$'
		a K'		& \$ \$'
CdYfUh]cb' > i bWh]cb'HY a dYfUh i fY'	^ H			

v(OHFWULFDO & KÄUDFWÄHULVWLFV

,WHP	6\PERO	8QLW	&RQGLWLRQV	0LQ	0D[
&ROOHFWRU (PLWWHU 9ROWD	DJH &(2		9 & 9P\$GF ,		,
&ROOHFWRU %DVH 9ROWD	DJH &%2	9	9 & , X\$GF ,		
(PLWWHU %DVH 9ROWD	DJH (%2	9	(9X\$GF ,		,
&ROOHFWRU %DVH &XW RII &XUUHQW			, Q 9GF \$		
(PLWWHU %DVH &XW RII &XUUHQW			, Q 9GF \$		
'& &XUUHQW *DLQ)(K	& P\$ 9 9GF		
			& P\$ 9(9GF		
			& P\$ 9(9GF		
&ROOHFWRU (PLWWHU 6DWXUDWLRQ	9ROWD		& 9P\$ P\$		
%DVH (PLWWHU 6DWXUDWLRQ	9ROWD		& 9P\$ P\$		

9
9

v6PDOO VLJQDO & KÄUDFWÄHULVWLFV

,WHP	6\PERO	8QLW	&RQGLWLRQV	0LQ	0D[
7UDQVLWLRQ IUHTXHQF\	7		& P\$GB(9 9GF I 0+]]		,

v2UGHULQJ ,QIRUPBORQ

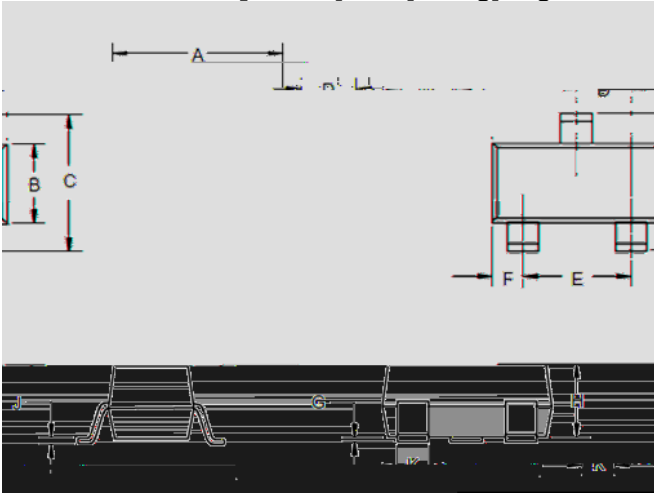
35()5(' 3 1	3\$&.,1* &2'('	81,7 :(*+7	0,1,080 3\$&.\$*(SFV	,11(5 %2; 48\$17,7< SF	287(5 &\$5721 48\$17,7< SFV	'(/,9(5< 02'('
0067)	\$SSUR[LPDWH				

U

..... A AGH)) %

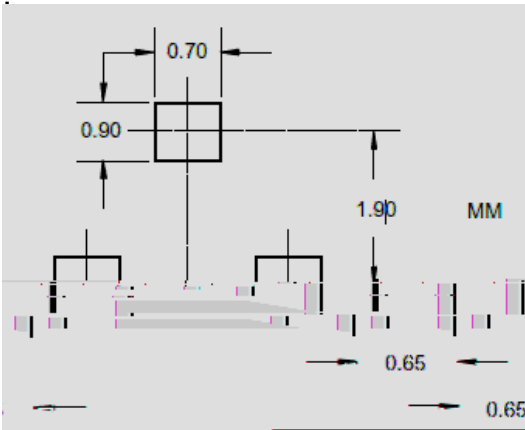


GCH!'&'DUW_U[Y'C ih`bY'8]a Ybg]cbg`



DIMENSIONS					
DIM	INCHES		MM		NOTE
	MIN	MAX	MIN	MAX	
A	.071	.087	1.80	2.20	
B	.045	.053	1.15	1.35	
C	.031	.036	.79	.91	
D	.026 Nominal		.65 Nominal		
E	.047	.055	1.20	1.40	
F	.031		.79		
G	.031		.79		
H	.035	.039	.90	1.00	
J	.004	.010	.10	.250	

GCH!'&'Gc`XYf]b[': cchdf]bh`





..... A AGH)))%

8]gW'U]a Yf'
