



# MBRL1060FCT

## Schottky Diodes

### Features

enhanced mechanical strength and moisture resistance  
g term reliability  
Solder dip 275 °C max. 7 s, per JESD 22-B106

### Typical Applications

Typical applications are in switching power supplies, converters, freewheeling diodes, and reverse battery protection.

### Mechanical Data

**Package:** ITO-220AB

Molding compound meets UL 94 V-0 flammability rating, RoHS-compliant

**Terminals:** Tin plated leads, solderable per J-STD-002 and JESD22-B102

**Polarity:** As marked

### Maximum Ratings (T<sub>a</sub>=25 Unless otherwise specified)

PARAMETER	SYMBOL	UNIT	MBRL1060FCT
Device marking code			MBRL1060FCT
Repetitive Peak Reverse Voltage	V <sub>RRM</sub>	V	60
Average Rectified Output Current @60Hz sine wave, R-load, T <sub>a</sub> =25	I <sub>O</sub>	A	10
Surge(Non-repetitive)Forward Current @60Hz half sine			



# MBRL1060FCT

## Thermal Characteristics $T_a=25$ Unless otherwise specified

PARAMETER		SYMBOL	UNIT	MBRL1060FCT
Thermal Resistance	Between junction and case	R J-C	$^{\circ}W$	4.0

## Ordering Information (Example)

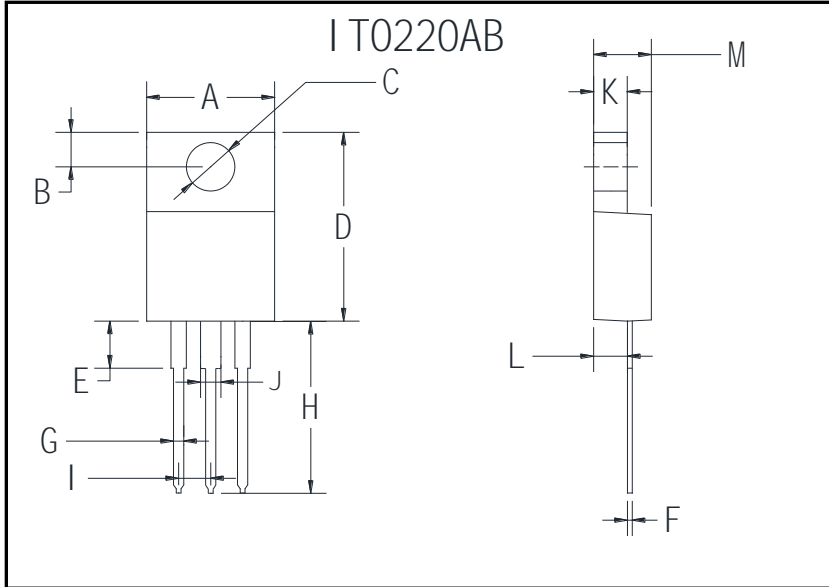
PREFERED P/N	UNIT WEIGHT(g)	MINIIMUM PACKAGE(pcs)	INNER BOX QUANTITY(pcs)	OUTER CARTON QUANTITY(pcs)	DELIVERY MODE
MBRL1060FCT	Approximate 1.6	50	1000	5000	Tube

## Characteristics (Typical)



# MBRL1060FCT

## Outline Dimensions



ITO-220AB		
Dim	Min	Max
A	9.7	10.7
B	2.15	3.25
C	2.6	3.8
D	14.4	15.9
E	3.1	4.5
F	0.4	0.8
G	0.4	0.8
H	12.7	14.2
I	1.80	2.95
J	1.4	1.8
K	2.1	3.56
L	2.1	3.2
M	3.9	5.1

## Disclaimer

The information presented in this document is for reference only. Yangzhou Yangjie Electronic Technology Co., Ltd. reserves the right to make changes without notice for the specification of the products displayed herein to improve reliability, function or design or otherwise.

The product listed herein is designed to be used with ordinary electronic equipment or devices, and not designed to be used with equipment or devices which require high level of reliability and the malfunction of which would directly endanger human life (such as medical instruments, transportation equipment, aerospace machinery, nuclear-reactor controllers, fuel controllers and other safety devices), Yangjie or anyone on its behalf, assumes no responsibility or liability for any damages resulting from such improper use of sale.

This publication supersedes & replaces all information previously supplied. For additional information, please visit our website [http:// www.21yangjie.com](http://www.21yangjie.com) , or consult your nearest Yan